

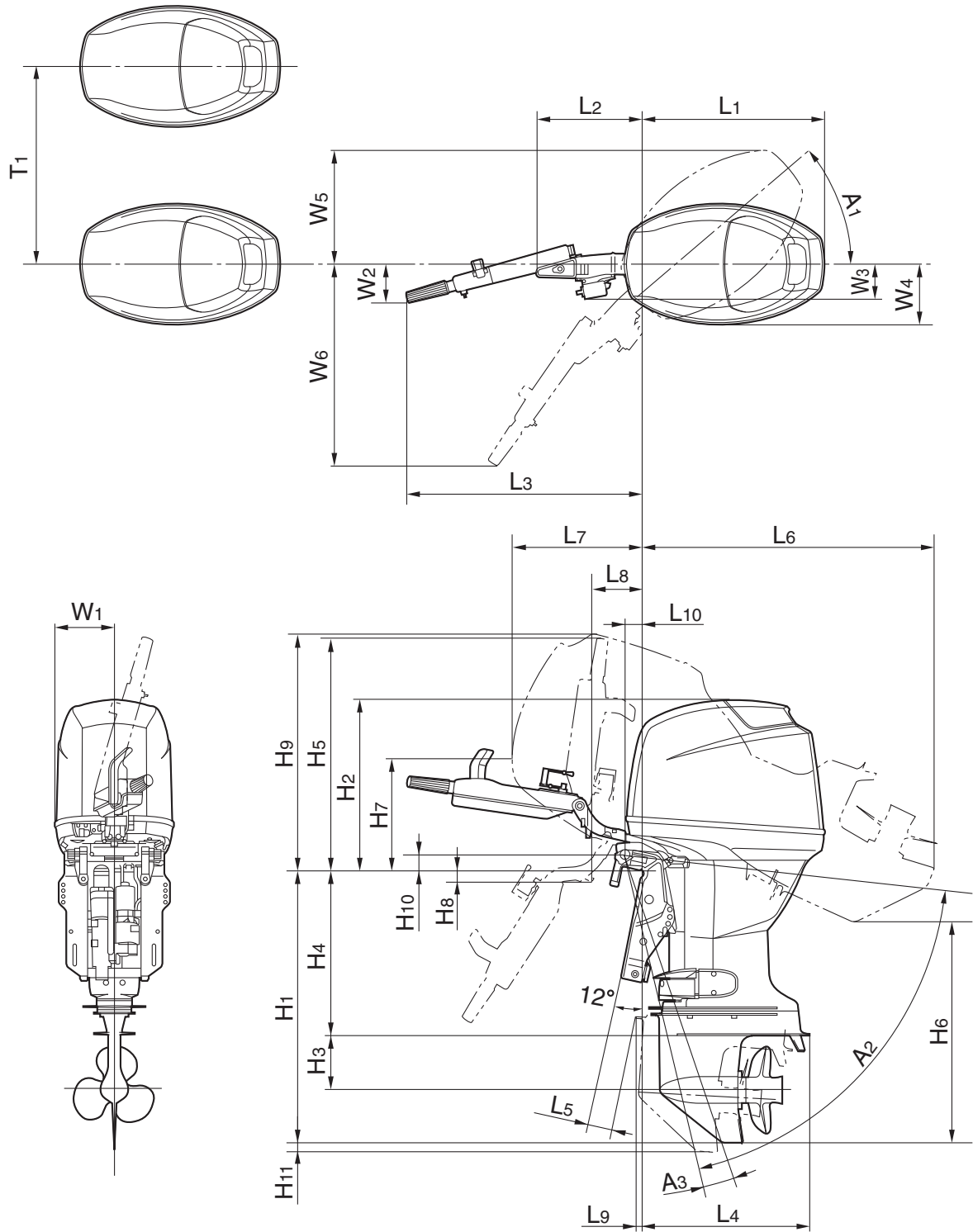
OUTBOARD MOTOR DIMENSIONS

OVERALL DIMENSION ITEMS

Symbol	Definition and Description
L1	Horizontal distance from datum point to rearmost point of power unit
L2	Horizontal distance from datum point to forefront (depends on the model) of power unit
L3	Distance from datum point to farthest point on tiller handle, when the handle is in horizontal position (in use)
L4	Horizontal distance from datum point to rearmost point of the lower case
L5	Minimum distance from transom board or its extension to forefront of the lower case, with motor fully trimmed down and steered to the full
L6	Horizontal distance from datum point to rearmost point of protrusion when motor is tilted up (over-tilt position)
L7	Horizontal distance from datum point to protruded forefront when motor is tilted up (over-tilt position)
L8	Horizontal distance from datum point to lowest point of protrusion when motor is tilted up (over-tilt position)
L9	Horizontal forward protrusion of lower case from the datum line when PTT is fully trimmed down
L10	Horizontal distance from datum point to bracket shaft (bolt) center
H1	Vertical distance from datum point to lowest point of motor
H2	Vertical distance from datum point to highest point of power head
H3	Vertical distance from anti-cavitation plate undersurface to the center of propeller shaft
H4	Vertical distance from datum point to anti-cavitation plate undersurface
H5	Vertical distance from datum point to tiller handle tip when the handle is in vertical position
H6	Vertical distance from skeg tip at H1 to the lowest point of lower unit when motor is tilted up (over-tilt position)
H7	Vertical distance from datum line to protruded forefront when motor is tilted up (over-tilt position)
H8	Vertical distance from datum line to lowest point of protrusion when motor is tilted up (over-tilt position)
H9	Vertical distance to the highest point of the motor when it is tilted up (over-tilt position)
H10	Vertical distance from datum point to bracket shaft (bolt) center
H11	Difference in the height of lower unit lowest point comparing to the height in the standard position and with PTT in the fully trimmed down position.
W1	Leftward protrusion from center line of motor body when looking at the front face
W2	Distance from tiller handle tip to centerline of motor body when looking at the front face
W3	Distance from centerline to left or right edge of motor body, except for levers and handles
W4	Distance from centerline to left or right end of motor body protrusion, except for levers and handles
W5	Distance from centerline to the farthest point on the body when steered to the maximum angle
W6	Distance from centerline to the farthest point on the tiller handle when steered to the maximum angle
A1	Maximum steering angle each way (symmetrical), from centerline of motor body
A2	Tilt up angle (whole rotating range to over-tilt angle including negative trim angle)
A3	Maximum negative trim angle from the vertical line through the datum point
T1	Centerline-to-centerline minimum distance of the engines in case of twin installation

OUTBOARD MOTOR DIMENSIONS

OVERALL DIMENSION ITEMS



OUTBOARD MOTOR DIMENSIONS

OVERALL DIMENSIONS (4-STROKE)

Global model (NOA model)		F4BMH (F4MHA) F5AMH F6CMH (F6MHA)	F8FWH	F8FMH (F8MHB) F9.9JMH (F9.9MHB) F9.9JEH (F9.9EHB) F9.9JWH	F9.9JE (F9.9EB)	FT8GMH FT9.9LMH (T9.9MHB) FT9.9LWH (T9.9EHB)	FT9.9LEHP (T9.9PHB)	FT8GE FT9.9LE (T9.9EB)	FT8GEP FT9.9LEP (T9.9PB)	
L1	mm (in)	409 (16.1)	436 (17.2)	436 (17.2)	436 (17.2)	436 (17.2)	435 (17.1)	436 (17.2)	435 (17.1)	
L2	mm (in)	130 (5.1)	124 (4.9)	124 (4.9)	121 (4.8)	121 (4.8)	122 (4.8)	121 (4.8)	122 (4.8)	
L3	mm (in)	341 (13.4)	547 (21.5)	547 (21.5)	—	607 (23.9)	608 (23.9)	—	—	
L4	mm (in)	259 (10.2)	356 (14.0)	356 (14.0)	356 (14.0)	367 (14.4)	367 (14.4)	367 (14.4)	367 (14.4)	
L5	S L X U	mm (in)	71 (2.8)	—	49 (1.9)	49 (1.9)	—	—	—	
			93 (3.7)	67 (2.6)	67 (2.6)	67 (2.6)	67 (2.6)	35 (1.4)	67 (2.6)	35 (1.4)
			—	—	—	—	67 (2.6)	35 (1.4)	67 (2.6)	35 (1.4)
			—	—	—	—	—	—	—	—
L6	S L X U	mm (in)	635 (25.0)	—	707 (27.8)	707 (27.8)	—	—	—	
			753 (29.6)	823 (32.4)	823 (32.4)	823 (32.4)	880 (34.6)	879 (34.6)	880 (34.6)	879 (34.6)
			—	—	—	—	943 (37.1)	941 (37.0)	943 (37.1)	941 (37.0)
			—	—	—	—	—	—	—	—
L7	mm (in)	383 (15.1)	276 (10.9)	276 (10.9)	276 (10.9)	276 (10.9)	273 (10.7)	276 (10.9)	273 (10.7)	
L8	mm (in)	134 (5.3)	141 (5.6)	141 (5.6)	138 (5.4)	138 (5.4)	139 (5.5)	138 (5.4)	139 (5.5)	
L9	S L X U	mm (in)	—	—	18 (0.7)	18 (0.7)	—	—	—	
			—	27 (1.1)	27 (1.1)	27 (1.1)	27 (1.1)	62 (2.4)	27 (1.1)	62 (2.4)
			—	—	—	—	27 (1.1)	62 (2.4)	27 (1.1)	—
			—	—	—	—	—	—	—	—
L10	mm (in)	63 (2.5)	66 (2.6)	66 (2.6)	66 (2.6)	66 (2.6)	67 (2.6)	66 (2.6)	67 (2.6)	
H1	S L X U	mm (in)	644 (25.4)	—	677 (26.7)	677 (26.7)	—	—	—	
			771 (30.4)	804 (31.7)	804 (31.7)	804 (31.7)	864 (34.0)	869 (34.2)	864 (34.0)	869 (34.2)
			—	—	—	—	932 (36.7)	937 (36.9)	932 (36.7)	937 (36.9)
			—	—	—	—	—	—	—	—
H2	mm (in)	395 (15.6)	331 (13.0)	331 (13.0)	331 (13.0)	331 (13.0)	326 (12.8)	331 (13.0)	326 (12.8)	
H3	mm (in)	104 (4.1)	123 (4.8)	123 (4.8)	123 (4.8)	157 (6.2)	157 (6.2)	157 (6.2)	157 (6.2)	
H4	S L X U	mm (in)	435 (17.1)	—	431 (17.0)	431 (17.0)	—	—	—	
			562 (22.1)	558 (22.0)	558 (22.0)	558 (22.0)	552 (21.7)	557 (21.9)	552 (21.7)	557 (21.9)
			—	—	—	—	620 (24.4)	625 (24.6)	620 (24.4)	625 (24.6)
			—	—	—	—	—	—	—	—
H5	mm (in)	430 (16.9)	614 (24.2)	614 (24.2)	—	678 (26.7)	673 (26.5)	—	—	
H6	S L X U	mm (in)	555 (21.9)	—	604 (23.8)	604 (23.8)	—	—	—	
			637 (25.1)	682 (26.9)	682 (26.9)	682 (26.9)	730 (28.7)	717 (28.2)	730 (28.7)	717 (28.2)
			—	—	—	—	771 (30.4)	757 (29.8)	771 (30.4)	757 (29.8)
			—	—	—	—	—	—	—	—
H7	mm (in)	191 (7.5)	216 (8.5)	216 (8.5)	216 (8.5)	216 (8.5)	213 (8.4)	216 (8.5)	273 (10.7)	
H8	mm (in)	0.6 (0.02)	7 (0.3)	7 (0.3)	8 (0.3)	8 (0.3)	5 (0.2)	8 (0.3)	5 (0.2)	
H9	mm (in)	503 (19.8)	527 (20.8)	527 (20.8)	527 (20.7)	609 (24.0)	604 (23.8)	527 (20.7)	522 (20.6)	
H10	mm (in)	39 (1.5)	37 (1.5)	37 (1.5)	37 (1.5)	37 (1.5)	32 (1.3)	37 (1.5)	32 (1.3)	
H11	S L X U	mm (in)	—	—	19 (0.7)	19 (0.7)	—	—	—	
			—	19 (0.7)	19 (0.7)	19 (0.7)	19 (0.7)	33 (1.3)	19 (0.7)	33 (1.3)
			—	—	—	—	19 (0.7)	33 (1.3)	19 (0.7)	33 (1.3)
			—	—	—	—	—	—	—	—
W1	mm (in)	181 (7.1)	—	156 (6.1)	177 (7.0)	172 (6.8)	172 (6.8)	177 (7.0)	177 (7.0)	
W2	mm (in)	222 (8.7)	188 (7.4)	188 (7.4)	—	189 (7.4)	189 (7.4)	—	—	
W3	mm (in)	—	156 (6.1)	156 (6.1)	156 (6.1)	156 (6.1)	156 (6.1)	156 (6.1)	156 (6.1)	
W4	mm (in)	153 (6.0)	156 (6.1)	156 (6.1)	156 (6.1)	156 (6.1)	156 (6.1)	156 (6.1)	156 (6.1)	
W5	mm (in)	325 (12.8)	284 (11.2)	284 (11.2)	284 (11.2)	284 (11.2)	265 (10.4)	284 (11.2)	265 (10.4)	
W6	mm (in)	425 (16.7)	562 (22.1)	562 (22.1)	—	603 (23.7)	567 (22.3)	—	—	
A1	degree	90	43	43	43	43	38	43	38	
A2	degree	69	71	71	71	71	74	71	74	
A3	degree	—	4	4	4	4	8	4	8	
T1	mm (in)	—	—	—	—	—	—	—	—	

OUTBOARD MOTOR DIMENSIONS

OVERALL DIMENSIONS (4-STROKE)

Global model (NOA model)		F9.9HMH F15CMH (F15MHA) F15CEH (F15EHA) F15CWH F20BMH (F20MHA) F20BEH (F20EHA) F20BWH F20GMH	F15CEHP (F15PHA) F20BEHP (F20PHA)	F9.9HE F15CE F20BE (F20EA) F20CE	F15CEP F20BEP (F20PA)	F25DMH (F25MHA) F25DEH (F25EHA) F25DWH	F25DMHD (F25MHB) F25DEHD (F25EHB) F25DWH	F25DEHT	F25DEH w/6X4 tiller handle	
L1	mm (in)	489 (19.3)	488 (19.2)	489 (19.3)	488 (19.2)	601 (23.7)	601 (23.7)	601 (23.7)	601 (23.7)	
L2	mm (in)	219 (8.6)	220 (8.7)	176 (6.9)	176 (6.9)	—	—	—	255 (10.0)	
L3	mm (in)	559 (22.0)	559 (22.0)	—	—	580 (22.8)	580 (22.8)	580 (22.8)	769 (30.3)	
L4	mm (in)	387 (15.2)	386 (15.2)	387 (15.2)	386 (15.2)	433 (17.0)	433 (17.0)	433 (17.0)	433 (17.0)	
L5	S L X U	mm (in)	64 (2.5)	—	64 (2.5)	89 (3.5)	85 (3.3)	—	—	
			82 (3.2)	82 (3.2)	82 (3.2)	82 (3.2)	103 (4.1)	111 (4.4)	111 (4.4)	103 (4.1)
			—	—	—	—	115 (4.5)	124 (4.9)	124 (4.9)	—
			—	—	—	—	—	—	—	—
L6	S L X U	mm (in)	730 (28.7)	—	730 (28.7)	727 (28.6)	761 (30.0)	—	—	
			847 (33.3)	840 (33.1)	847 (33.3)	840 (33.1)	880 (34.6)	875 (34.4)	875 (34.4)	880 (34.6)
			—	—	—	—	960 (37.8)	951 (37.4)	951 (37.4)	—
			—	—	—	—	—	—	—	—
L7	mm (in)	381 (15.0)	356 (14.0)	321 (12.6)	309 (12.2)	378 (14.9)	353 (13.9)	353 (13.9)	378 (14.9)	
L8	mm (in)	237 (9.3)	176 (6.9)	184 (7.2)	188 (7.4)	189 (7.4)	197 (7.8)	197 (7.8)	159 (6.3)	
L9	S L X U	mm (in)	9 (0.4)	—	9 (0.4)	18 (0.7)	15 (0.6)	—	—	
			18 (0.7)	18 (0.7)	18 (0.7)	18 (0.7)	6 (0.2)	14 (0.6)	14 (0.6)	—
			—	—	—	—	1 (0.05)	10 (0.4)	10 (0.4)	—
			—	—	—	—	—	—	—	—
L10	mm (in)	66 (2.6)	67 (2.6)	66 (2.6)	67 (2.6)	65 (2.6)	65 (2.6)	65 (2.6)	65 (2.6)	
H1	S L X U	mm (in)	701 (27.6)	—	701 (27.6)	706 (27.8)	707 (27.8)	—	—	
			828 (32.6)	833 (32.8)	828 (32.6)	833 (32.8)	834 (32.8)	834 (32.8)	834 (32.8)	834 (32.8)
			—	—	—	—	920 (36.2)	920 (36.2)	920 (36.2)	—
			—	—	—	—	—	—	—	—
H2	mm (in)	377 (14.8)	372 (14.6)	377 (14.8)	372 (14.6)	450 (17.7)	450 (17.7)	450 (17.7)	450 (17.7)	
H3	mm (in)	133 (5.2)	133 (5.2)	133 (5.2)	133 (5.2)	144 (5.7)	144 (5.7)	144 (5.7)	144 (5.7)	
H4	S L X U	mm (in)	438 (17.2)	—	438 (17.2)	443 (17.4)	423 (16.7)	—	—	
			565 (22.2)	570 (22.4)	565 (22.2)	570 (22.4)	550 (21.7)	550 (21.7)	550 (21.7)	550 (21.7)
			—	—	—	—	635 (25.0)	636 (25.0)	636 (25.0)	—
			—	—	—	—	—	—	—	—
H5	mm (in)	570 (22.4)	566 (22.3)	—	—	—	—	—	766 (30.2)	
H6	S L X U	mm (in)	616 (24.3)	—	616 (24.3)	574 (22.6)	667 (26.3)	—	—	
			694 (27.3)	643 (25.3)	694 (27.3)	643 (25.3)	748 (29.4)	665 (26.2)	665 (26.2)	748 (29.4)
			—	—	—	—	803 (31.6)	711 (28.0)	711 (28.0)	—
			—	—	—	—	—	—	—	—
H7	mm (in)	399 (15.7)	414 (16.3)	218 (8.6)	230 (9.1)	258 (10.2)	282 (11.1)	282 (11.1)	258 (10.2)	
H8	mm (in)	44 (1.7)	37 (1.5)	32 (1.3)	28 (1.1)	41 (1.6)	26 (1.0)	26 (1.0)	47 (1.9)	
H9	mm (in)	580 (22.8)	575 (22.6)	580 (22.8)	575 (22.6)	705 (27.8)	706 (27.8)	706 (27.8)	705 (27.8)	
H10	mm (in)	37 (1.5)	32 (1.3)	37 (1.5)	32 (1.3)	43 (1.7)	43 (1.7)	43 (1.7)	43 (1.7)	
H11	S L X U	mm (in)	19 (0.7)	—	19 (0.7)	19 (0.7)	23 (0.9)	—	—	
			19 (0.7)	19 (0.7)	19 (0.7)	19 (0.7)	22 (0.9)	18 (0.7)	18 (0.7)	22 (0.9)
			—	—	—	—	22 (0.9)	17 (0.7)	17 (0.7)	—
			—	—	—	—	—	—	—	—
W1	mm (in)	210 (8.3)	210 (8.3)	210 (8.3)	210 (8.3)	199 (7.8)	199 (7.8)	199 (7.8)	199 (7.8)	
W2	mm (in)	210 (8.3)	210 (8.3)	—	—	213 (8.4)	213 (8.4)	213 (8.4)	128 (5.0)	
W3	mm (in)	176 (6.9)	176 (6.9)	180 (7.1)	180 (7.1)	—	—	—	—	
W4	mm (in)	—	—	—	—	—	—	—	—	
W5	mm (in)	341 (13.4)	320 (12.6)	341 (13.4)	320 (12.6)	387 (15.2)	387 (15.2)	387 (15.2)	387 (15.2)	
W6	mm (in)	598 (23.5)	568 (22.4)	—	—	604 (23.8)	604 (23.8)	604 (23.8)	665 (26.2)	
A1	degree	45	40	45	40	42	42	42	42	
A2	degree	71	67	71	S:63 / L:67	73	66	66	73	
A3	degree	4	4	4	S:0 / L:4	4	3	3	4	
T1	mm (in)	—	—	—	—	—	—	—	—	

OUTBOARD MOTOR DIMENSIONS

OVERALL DIMENSIONS (4-STROKE)

Global model (NOA model)		F25DE (F25EA)	F25DET (F25A) F20DET	FT25FET (T25A)	
Symbol					
L1	mm (in)	601 (23.7)	601 (23.7)	601 (23.7)	
L2	mm (in)	123 (4.8)	123 (4.8)	134 (5.3)	
L3	mm (in)	—	—	—	
L4	mm (in)	433 (17.0)	433 (17.0)	522 (20.6)	
L5	S L X U	mm (in)	103 (4.1)	—	—
			103 (4.1)	111 (4.4)	66 (2.6)
			—	—	66 (2.6)
			—	—	—
L6	S L X U	mm (in)	880 (34.6)	—	—
			880 (34.6)	875 (34.4)	924 (36.4)
			—	—	1025 (40.4)
			—	—	—
L7	mm (in)	378 (14.9)	353 (13.9)	338 (13.3)	
L8	mm (in)	147 (5.8)	150 (5.9)	158 (6.2)	
L9	S L X U	mm (in)	6 (0.2)	—	—
			6 (0.2)	14 (0.6)	29 (1.1)
			—	—	29 (1.1)
			—	—	—
L10	mm (in)	65 (2.6)	65 (2.6)	65 (2.6)	
H1	S L X U	mm (in)	834 (32.8)	—	—
			834 (32.8)	834 (32.8)	879 (34.6)
			—	—	993 (39.1)
			—	—	—
H2	mm (in)	450 (17.7)	450 (17.7)	433 (17.0)	
H3	mm (in)	144 (5.7)	144 (5.7)	175 (6.9)	
H4	S L X U	mm (in)	423 (16.7)	—	—
			550 (21.7)	550 (21.7)	536 (21.1)
			—	—	650 (25.6)
			—	—	—
H5	mm (in)	—	—	—	
H6	S L X U	mm (in)	748 (29.4)	—	—
			748 (29.4)	665 (26.2)	667 (26.3)
			—	—	728 (28.7)
			—	—	—
H7	mm (in)	258 (10.2)	282 (11.1)	274 (10.8)	
H8	mm (in)	12 (0.5)	22 (0.9)	14 (0.6)	
H9	mm (in)	705 (27.8)	706 (27.8)	698 (27.5)	
H10	mm (in)	43 (1.7)	43 (1.7)	43 (1.7)	
H11	S L X U	mm (in)	22 (0.9)	—	—
			22 (0.9)	18 (0.7)	19 (0.7)
			—	—	19 (0.7)
			—	—	—
W1	mm (in)	199 (7.8)	199 (7.8)	199 (7.8)	
W2	mm (in)	—	213 (8.4)	—	
W3	mm (in)	—	—	—	
W4	mm (in)	—	—	—	
W5	mm (in)	387 (15.2)	387 (15.2)	376 (14.8)	
W6	mm (in)	—	604 (23.8)	—	
A1	degree	42	42	40	
A2	degree	73	66	66	
A3	degree	4	3	3	
T1	mm (in)	—	—	—	

OUTBOARD MOTOR DIMENSIONS

OVERALL DIMENSIONS (4-STROKE)

Global model (NOA, ANZ model)			F30BEHT F40FEHT	F30BEHD (F30EHA) F40FEHD (F40EHA)	F30BET (F30A) F40FET (F40A)	F40FED (F40EA)	F40HET F50HET (F50B) F60FET (F60B)	F50HED	F50DET	F50HEHD
Symbol										
L1	mm (in)		583 (23.0)	583 (23.0)	583 (23.0)	583 (23.0)	584 (23.0)	584 (23.0)	576 (22.7)	584 (23.0)
L2	mm (in)		235 (9.3)	235 (9.3)	134 (5.3)	134 (5.3)	122 (4.8)	122 (4.8)	142 (5.6)	225 (8.9)
L3	mm (in)		779 (30.7)	779 (30.7)	—	—	—	—	—	788 (31.0)
L4	mm (in)		522 (20.6)	522 (20.6)	522 (20.6)	522 (20.6)	533 (21.0)	533 (21.0)	532 (20.9)	533 (21.0)
L5	S L X U	mm (in)	—	77 (3.0)	77 (3.0)	77 (3.0)	—	—	—	—
			66 (2.6)	66 (2.6)	66 (2.6)	66 (2.6)	97 (3.8)	97 (3.8)	97 (3.8)	97 (3.8)
			—	66 (2.6)	66 (2.6)	—	121 (4.8)	—	—	—
			—	—	—	—	—	—	—	—
L6	S L X U	mm (in)	—	816 (32.1)	817 (32.2)	816 (32.1)	—	—	—	—
			925 (36.4)	923 (36.3)	924 (36.4)	923 (36.3)	932 (36.7)	930 (36.6)	933 (36.7)	930 (36.6)
			—	1024 (40.3)	1025 (40.4)	—	1036 (40.8)	—	—	—
			—	—	—	—	—	—	—	—
L7	mm (in)		345 (13.6)	342 (13.5)	345 (13.6)	342 (13.5)	417 (16.4)	406 (16.0)	407 (16.0)	406 (16.0)
L8	mm (in)		177 (7.0)	178 (7.0)	158 (6.2)	158 (6.2)	147 (5.8)	148 (5.8)	148 (5.8)	168 (6.6)
L9	S L X U	mm (in)	—	29 (1.1)	29 (1.1)	29 (1.1)	—	—	—	—
			29 (1.1)	29 (1.1)	29 (1.1)	29 (1.1)	0 (0.0)	0 (0.0)	0.6 (0.02)	0 (0.0)
			—	29 (1.1)	29 (1.1)	—	0 (0.0)	—	—	—
			—	—	—	—	—	—	—	—
L10	mm (in)		65 (2.6)	65 (2.6)	65 (2.6)	65 (2.6)	62 (2.4)	62 (2.4)	63 (2.5)	62 (2.4)
H1	S L X U	mm (in)	—	757 (29.8)	757 (29.8)	757 (29.8)	—	—	—	—
			879 (34.6)	879 (34.6)	879 (34.6)	879 (34.6)	870 (34.3)	870 (34.3)	876 (34.5)	870 (34.3)
			—	993 (39.1)	993 (39.1)	—	984 (38.7)	—	—	—
			—	—	—	—	—	—	—	—
H2	mm (in)		471 (18.5)	471 (18.5)	471 (18.5)	471 (18.5)	545 (21.5)	545 (21.5)	519 (20.4)	545 (21.5)
H3	mm (in)		175 (6.9)	175 (6.9)	175 (6.9)	175 (6.9)	175 (6.9)	175 (6.9)	175 (6.9)	175 (6.9)
H4	S L X U	mm (in)	—	414 (16.3)	414 (16.3)	414 (16.3)	—	—	—	—
			536 (21.1)	536 (21.1)	536 (21.1)	536 (21.1)	527 (20.7)	527 (20.7)	533 (21.0)	527 (20.7)
			—	650 (25.6)	650 (25.6)	—	641 (25.2)	—	—	—
			—	—	—	—	—	—	—	—
H5	mm (in)		770 (30.3)	770 (30.3)	—	—	—	—	—	790 (31.1)
H6	S L X U	mm (in)	—	594 (23.4)	606 (23.9)	594 (23.4)	—	—	—	—
			667 (26.3)	660 (26.0)	667 (26.3)	660 (26.0)	708 (27.9)	682 (26.9)	711 (28.0)	682 (26.9)
			—	720 (28.3)	728 (28.7)	—	774 (30.5)	—	—	—
			—	—	—	—	—	—	—	—
H7	mm (in)		306 (12.0)	304 (12.0)	306 (12.0)	304 (12.0)	354 (13.9)	354 (13.9)	327 (12.9)	354 (13.9)
H8	mm (in)		44 (1.7)	43 (1.7)	14 (0.6)	15 (0.6)	22 (0.9)	25 (1.0)	3.5 (0.14)	33 (1.3)
H9	mm (in)		695 (27.4)	695 (27.4)	695 (27.4)	695 (27.4)	759 (29.9)	762 (30.0)	733 (28.9)	713 (28.1)
H10	mm (in)		43 (1.7)	43 (1.7)	43 (1.7)	43 (1.7)	49 (1.9)	49 (1.9)	44 (1.7)	49 (1.9)
H11	S L X U	mm (in)	—	19 (0.7)	19 (0.7)	19 (0.7)	—	—	—	—
			19 (0.7)	19 (0.7)	19 (0.7)	19 (0.7)	24 (0.9)	24 (0.9)	24 (0.9)	24 (0.9)
			—	19 (0.7)	19 (0.7)	—	24 (0.9)	—	—	—
			—	—	—	—	—	—	—	—
W1	mm (in)		192 (7.6)	192 (7.6)	192 (7.6)	192 (7.6)	192 (7.6)	192 (7.6)	181 (7.1)	192 (7.6)
W2	mm (in)		128 (5.0)	128 (5.0)	—	—	—	—	—	137 (5.4)
W3	mm (in)		—	—	—	—	—	—	181 (7.1)	—
W4	mm (in)		—	—	—	—	—	—	—	—
W5	mm (in)		364 (14.3)	364 (14.3)	364 (14.3)	364 (14.3)	360 (14.2)	360 (14.2)	345 (13.6)	360 (14.2)
W6	mm (in)		654 (25.7)	654 (25.7)	—	—	—	—	—	672 (26.5)
A1	degree		40	40	40	40	40	40	40	40
A2	degree		66	65	66	65	69	67	65	67
A3	degree		3	3	3	3	4	4	4	4
T1	mm (in)		—	—	—	—	560 (22.0)	560 (22.0)	560 (22.0)	—

OUTBOARD MOTOR DIMENSIONS

OVERALL DIMENSIONS (4-STROKE)

Global model (NOA, ANZ model)		F50HEHT (F50HB) F60FEHT (F60HB)	FT50JET (T50B) FT60GET (T60B)	FT50CET	FT60GEHT	FT50CEHD	FT60GEHD	F70AET (F70A) F40GET	F70AET (F70A) F40GET w/6X4 tiller handle	
L1	mm (in)	584 (23.0)	584 (23.0)	576 (22.7)	584 (23.0)	576 (22.7)	584 (23.0)	591 (23.3)	591 (23.3)	
L2	mm (in)	225 (8.9)	122 (4.8)	142 (5.6)	225 (8.9)	272 (10.7)	225 (8.9)	122 (4.8)	225 (8.9)	
L3	mm (in)	788 (31.0)	—	—	788 (31.0)	797 (31.2)	778 (30.6)	—	788 (31.0)	
L4	mm (in)	533 (21.0)	561 (22.1)	560 (22.1)	561 (22.1)	560 (22.1)	561 (22.1)	582 (22.9)	582 (22.9)	
L5	S L X U	mm (in)	—	—	—	—	—	—	—	
			97 (3.8)	98 (3.9)	98 (3.9)	98 (3.9)	98 (3.9)	67 (2.6)	67 (2.6)	67 (2.6)
			—	114 (4.5)	85 (3.4)	—	85.0 (3.35)	98 (3.9)	67 (2.6)	67 (2.6)
			—	—	—	—	—	—	—	—
L6	S L X U	mm (in)	—	—	—	—	—	—	—	
			932 (36.7)	996 (39.2)	991 (39.0)	996 (39.2)	989 (38.9)	995 (39.2)	1000 (39.4)	1000 (39.4)
			—	1099 (43.3)	1095 (43.1)	—	1092 (43.0)	1097 (43.2)	1103 (43.4)	1103 (43.4)
			—	—	—	—	—	—	—	—
L7	mm (in)	417 (16.4)	417 (16.4)	407 (16.0)	417 (16.4)	397 (15.6)	407 (16.0)	421 (16.6)	421 (16.6)	
L8	mm (in)	165 (6.5)	147 (5.8)	148 (5.8)	165 (6.5)	189 (7.2)	168 (6.6)	152 (6.0)	165 (6.5)	
L9	S L X U	mm (in)	—	—	—	—	—	—	—	
			0 (0.0)	0 (0.0)	1.0 (0.04)	0 (0.0)	0.8 (0.03)	0 (0.0)	26 (1.0)	26 (1.0)
			0 (0.0)	0 (0.0)	16.0 (0.63)	0 (0.0)	16 (0.63)	0 (0.0)	26 (1.0)	26 (1.0)
			—	—	—	—	—	—	—	—
L10	mm (in)	62 (2.4)	62 (2.4)	63 (2.5)	62 (2.4)	63 (2.5)	62 (2.4)	62 (2.4)	62 (2.4)	
H1	S L X U	mm (in)	—	—	—	—	—	—	—	
			870 (34.3)	910 (35.8)	917 (36.1)	910 (35.8)	917 (36.1)	910 (35.8)	915 (36.0)	915 (36.0)
			—	1024 (40.3)	1026 (40.4)	—	1026 (40.4)	1025 (40.4)	1029 (40.5)	1029 (40.5)
			—	—	—	—	—	—	—	—
H2	mm (in)	545 (21.5)	545 (21.5)	519 (20.4)	545 (21.5)	519 (20.4)	545 (21.5)	561 (22.1)	561 (22.1)	
H3	mm (in)	175 (6.9)	191 (7.5)	194 (7.6)	191 (7.5)	194 (7.6)	191 (7.5)	191 (7.5)	191 (7.5)	
H4	S L X U	mm (in)	—	—	—	—	—	—	—	
			527 (20.7)	530 (20.9)	536 (21.1)	530 (20.9)	533 (21.0)	530 (20.9)	534 (21.0)	534 (21.0)
			—	644 (25.4)	645 (25.4)	—	645 (25.4)	644 (25.4)	648 (25.5)	648 (25.5)
			—	—	—	—	—	—	—	—
H5	mm (in)	790 (31.1)	—	—	790 (31.1)	680 (26.8)	790 (31.1)	—	790 (31.1)	
H6	S L X U	mm (in)	—	—	—	—	—	—	—	
			708 (27.9)	746 (29.4)	750 (29.5)	746 (29.4)	723 (28.5)	720 (28.3)	749 (29.5)	749 (29.5)
			—	812 (32.0)	813 (32.0)	—	783 (30.8)	782 (30.8)	815 (32.1)	815 (32.1)
			—	—	—	—	—	—	—	—
H7	mm (in)	354 (13.9)	354 (13.9)	327 (12.9)	354 (13.9)	330 (13.0)	354 (13.9)	371 (14.6)	371 (14.6)	
H8	mm (in)	37 (1.5)	22 (0.9)	3.5 (0.14)	37 (1.5)	110 (4.3)	34 (1.3)	26 (1.0)	37 (1.5)	
H9	mm (in)	759 (29.9)	759 (29.9)	733 (28.9)	759 (29.9)	738 (29.1)	763 (30.0)	741 (29.2)	741 (29.2)	
H10	mm (in)	49 (1.9)	49 (1.9)	44 (1.7)	49 (1.9)	44 (1.7)	49 (1.9)	49 (1.9)	49 (1.9)	
H11	S L X U	mm (in)	—	—	—	—	—	—	—	
			24 (0.9)	24 (0.9)	28 (1.1)	24 (0.9)	28 (1.1)	29 (1.1)	29 (1.1)	29 (1.1)
			—	24 (0.9)	27 (1.0)	—	27 (1.0)	24 (0.9)	29 (1.1)	29 (1.1)
			—	—	—	—	—	—	—	—
W1	mm (in)	192 (7.6)	192 (7.6)	181 (7.1)	192 (7.6)	181 (7.1)	192 (7.6)	193 (7.6)	193 (7.6)	
W2	mm (in)	137 (5.4)	—	—	137 (5.4)	213 (8.4)	137 (5.4)	—	137 (5.4)	
W3	mm (in)	—	—	181 (7.1)	—	181 (7.13)	—	—	—	
W4	mm (in)	—	—	—	—	—	—	—	—	
W5	mm (in)	360 (14.2)	360 (14.2)	345 (13.6)	360 (14.2)	345 (13.6)	360 (14.2)	363 (14.3)	363 (14.3)	
W6	mm (in)	672 (26.5)	—	—	672 (26.5)	738 (29.1)	672 (26.5)	—	676 (26.6)	
A1	degree	40	40	40	40	40	40	40	40	
A2	degree	69	69	65	69	63	67	65	65	
A3	degree	4	4	4	4	4	4	4	4	
T1	mm (in)	—	560 (22.0)	560 (22.0)	—	—	—	560 (22.0)	—	

OUTBOARD MOTOR DIMENSIONS

OVERALL DIMENSIONS (4-STROKE)

Global model (NOA, ANZ model)		F75BET (F75A) F80BET F90BET (F90A) F100DET	F75BET (F75A) F80BET F90BET (F90A) F100DET w/6X4 tiller handle	F75CED	F75CEHD F100BEHT F100BEHD	F95AET F100BET	F/FL115AET	F115AEHT	F/FL115BET (F/FL115B) F115C (VF115A) F130AET	
L1	mm (in)	651 (25.6)	651 (25.6)	664 (26.1)	664 (26.1)	664 (26.1)	665 (26.2)	662 (26.1)	690 (27.2)	
L2	mm (in)	171 (6.7)	247 (9.7)	161 (6.3)	324 (12.8)	161 (6.3)	161 (6.3)	—	136 (5.4)	
L3	mm (in)	—	822 (32.4)	—	844 (33.2)	—	—	—	—	
L4	mm (in)	574 (22.6)	574 (22.6)	631 (24.8)	631 (24.8)	631 (24.8)	631 (24.8)	631 (24.8)	631 (24.8)	
L5	S L X U	mm (in)	—	—	—	—	—	—	—	
			63 (2.5)	63 (2.5)	79 (3.1)	79 (3.1)	69 (2.7)	69 (2.7)	—	63 (2.5)
			63 (2.5)	63 (2.5)	87 (3.4)	87 (3.4)	76 (3.0)	89 (3.5)	104 (4.1)	81 (3.2)
L6	S L X U	mm (in)	—	—	—	—	—	—	—	
			998 (39.3)	998 (39.3)	1005 (39.6)	1005 (39.6)	1005 (39.6)	1005 (39.6)	—	1006 (39.6)
			1115 (43.9)	1115 (43.9)	1118 (44.0)	1118 (44.0)	1122 (44.2)	1122 (44.2)	1122 (44.2)	1122 (44.2)
L7	mm (in)	527 (20.7)	527 (20.7)	504 (19.8)	504 (19.8)	536 (21.9)	555 (21.9)	555 (21.9)	561 (22.1)	
L8	mm (in)	164 (6.5)	108 (4.3)	168 (6.6)	208 (8.2)	158 (6.2)	158 (6.2)	—	135 (5.3)	
L9	S L X U	mm (in)	—	—	—	—	—	—	—	
			28 (1.1)	28 (1.1)	19 (0.7)	19 (0.7)	25 (1.0)	25 (1.0)	—	32 (1.3)
			28 (1.1)	28 (1.1)	15 (0.6)	15 (0.6)	25 (1.0)	33 (1.3)	16 (0.6)	41 (1.6)
L10	mm (in)	62 (2.4)	62 (2.4)	75 (3.0)	75 (3.0)	75 (3.0)	75 (3.0)	75 (3.0)	75 (3.0)	
H1	S L X U	mm (in)	—	—	—	—	—	—	—	
			917 (36.1)	917 (36.1)	929 (36.6)	929 (36.6)	929 (36.6)	929 (36.6)	—	929 (36.6)
			1044 (41.1)	1044 (41.1)	1056 (41.6)	1056 (41.6)	1056 (41.6)	1056 (41.6)	1056 (41.6)	1056 (41.6)
H2	mm (in)	666 (26.2)	666 (26.2)	667 (26.3)	667 (26.3)	666 (26.2)	681 (26.8)	681 (26.8)	700 (27.6)	
H3	mm (in)	191 (7.5)	191 (7.5)	191 (7.5)	191 (7.5)	191 (7.5)	191 (7.5)	191 (7.5)	191 (7.5)	
H4	S L X U	mm (in)	—	—	—	—	—	—	—	
			536 (21.1)	536 (21.1)	516 (20.3)	516 (20.3)	516 (20.3)	516 (20.3)	—	516 (20.3)
			663 (26.1)	663 (26.1)	643 (25.3)	643 (25.3)	643 (25.3)	643 (25.3)	643 (25.3)	643 (25.3)
H5	mm (in)	—	784 (30.9)	—	764 (30.1)	—	—	—	—	
H6	S L X U	mm (in)	—	—	—	—	—	—	—	
			766 (30.2)	766 (30.2)	709 (27.9)	709 (27.9)	776 (30.6)	773 (30.4)	—	764 (30.1)
			842 (33.1)	842 (33.1)	776 (30.6)	776 (30.6)	854 (33.6)	850 (33.5)	850 (33.5)	840 (33.1)
H7	mm (in)	366 (14.4)	366 (14.4)	401 (15.8)	401 (15.8)	388 (15.3)	406 (16.0)	404 (15.9)	429 (16.9)	
H8	mm (in)	27 (1.1)	49 (1.9)	4 (0.2)	93 (3.7)	14 (0.6)	14 (0.6)	—	15 (0.6)	
H9	mm (in)	857 (33.7)	857 (33.7)	892 (35.1)	892 (35.1)	877 (34.5)	879 (34.6)	879 (34.6)	877 (34.5)	
H10	mm (in)	49 (1.9)	49 (1.9)	44 (1.7)	44 (1.7)	44 (1.7)	44 (1.7)	45 (1.8)	45 (1.8)	
H11	S L X U	mm (in)	—	—	—	—	—	—	—	
			25 (1.0)	25 (1.0)	17 (0.7)	17 (0.7)	25 (1.0)	25 (1.0)	—	31 (1.2)
			24 (0.9)	24 (0.9)	17 (0.7)	17 (0.7)	25 (1.0)	25 (1.0)	14 (0.6)	31 (1.2)
W1	mm (in)	240 (9.4)	240 (9.4)	243 (9.6)	243 (9.6)	243 (9.6)	249 (9.8)	246 (9.7)	262 (10.3)	
W2	mm (in)	—	137 (5.4)	—	96 (3.8)	—	—	—	—	
W3	mm (in)	—	—	—	—	—	—	—	—	
W4	mm (in)	—	—	—	—	—	—	—	—	
W5	mm (in)	405 (15.9)	405 (15.9)	384 (15.1)	384 (15.1)	384 (15.1)	392 (15.4)	388 (15.3)	422 (16.6)	
W6	mm (in)	—	633 (24.9)	—	578 (22.8)	—	—	—	—	
A1	degree	35	35	30	30	30	30	30	35	
A2	degree	70	70	64	64	70	70	68	66	
A3	degree	4	4	3	3	4	4	2	4	
T1	mm (in)	660 (26.0)	—	660 (26.0)	—	660 (26.0)	660 (26.0)	—	660 (26.0)	

OUTBOARD MOTOR DIMENSIONS

OVERALL DIMENSIONS (4-STROKE)

Global model (NOA, ANZ model)		F115BEHT	F/FL150DET (F/LF150B) F/FL150FET	F150CET (VF150LA) F165AET F175BET (VF175LA) F185AET L-transom	F150CET (VF150XA) X-transom	F175AET (F175A) F/FL200FET (F/LF200B) F/FL200GET (F/LF200CA)	F/FL200CET (F/LF200A) F/FL225BET (F/LF225A) F/FL250AET (F/LF250A) F/FL200BET F/FL250GET	F225CET L-transom	F200DET (VF200LA) F225DET (VF225LA) F250CET (VF250LA) F225GET F250FET F275AET L-transom	
L1	mm (in)	690 (27.2)	722 (28.4)	722 (28.4)	722 (28.4)	722 (28.4)	651 (25.6)	664 (26.1)	741 (29.2)	
L2	mm (in)	300 (11.8)	198 (7.8)	198 (7.8)	198 (7.8)	198 (7.8)	219 (8.6)	206 (8.1)	218 (8.6)	
L3	mm (in)	—	—	—	—	—	—	—	—	
L4	mm (in)	631 (24.8)	646 (25.4)	646 (25.4)	646 (25.4)	646 (25.4)	673 (26.5)	685 (27.0)	688 (27.1)	
L5	S L X U	mm (in)	—	—	—	—	—	—	—	
			63 (2.5)	60 (2.4)	53 (2.1)	—	53 (2.1)	—	62 (2.4)	54 (2.1)
			81 (3.2)	80 (3.2)	—	63 (2.5)	63 (2.5)	59 (2.3)	—	—
			—	—	—	—	—	59 (2.3)	—	—
L6	S L X U	mm (in)	—	—	—	—	—	—	—	
			1006 (39.6)	1032 (40.6)	1033 (40.7)	—	1033 (40.7)	—	1043 (41.1)	1033 (40.7)
			1122 (44.2)	1148 (45.2)	—	1149 (45.2)	1149 (45.2)	1115 (45.5)	—	—
			—	—	—	—	—	1272 (50.1)	—	—
L7	mm (in)	561 (22.1)	639 (25.2)	639 (25.2)	639 (25.2)	639 (25.2)	619 (24.4)	615 (24.2)	651 (25.6)	
L8	mm (in)	121 (4.8)	163 (6.4)	163 (6.4)	163 (6.4)	163 (6.4)	230 (9.1)	226 (8.9)	237 (9.3)	
L9	S L X U	mm (in)	—	—	—	—	—	—	—	
			32 (1.3)	35 (1.4)	42 (1.7)	—	42 (1.7)	—	18 (0.7)	81 (3.2)
			41 (1.6)	43 (1.7)	—	51 (2.0)	51 (2.0)	52 (2.0)	—	—
			—	—	—	—	—	59 (2.3)	—	—
L10	mm (in)	75 (3.0)	75 (3.0)	75 (3.0)	75 (3.0)	75 (3.0)	75 (3.0)	75 (3.0)	75 (3.0)	
H1	S L X U	mm (in)	—	—	—	—	—	—	—	
			929 (36.6)	946 (37.2)	946 (37.2)	—	946 (37.2)	—	951 (37.4)	932 (36.7)
			1056 (41.6)	1073 (42.2)	—	1073 (42.2)	1073 (42.2)	1078 (42.4)	—	—
			—	—	—	—	—	1205 (47.4)	—	—
H2	mm (in)	700 (27.6)	796 (31.3)	796 (31.3)	796 (31.3)	796 (31.3)	752 (29.6)	754 (29.7)	817 (32.2)	
H3	mm (in)	191 (7.5)	210 (8.3)	210 (8.3)	210 (8.3)	210 (8.3)	216 (8.5)	216 (8.5)	216 (8.5)	
H4	S L X U	mm (in)	—	—	—	—	—	—	—	
			516 (20.3)	516 (20.3)	516 (20.3)	—	516 (20.3)	—	516 (20.3)	493 (19.4)
			643 (25.3)	643 (25.3)	—	643 (25.3)	643 (25.3)	643 (25.3)	—	—
			—	—	—	—	—	770 (30.3)	—	—
H5	mm (in)	782 (30.8)	—	—	—	—	—	—	—	
H6	S L X U	mm (in)	—	—	—	—	—	—	—	
			764 (30.1)	787 (31.0)	774 (30.5)	—	774 (30.5)	—	779 (30.7)	715 (28.1)
			840 (33.1)	864 (34.0)	—	849 (33.4)	849 (33.4)	847 (33.3)	—	—
			—	—	—	—	—	924 (36.4)	—	—
H7	mm (in)	429 (16.9)	501 (19.7)	501 (19.7)	501 (19.7)	501 (19.7)	387 (15.2)	399 (15.7)	507 (20.0)	
H8	mm (in)	53 (2.1)	14 (0.6)	14 (0.6)	14 (0.6)	14 (0.6)	39 (1.5)	26 (1.0)	33 (1.3)	
H9	mm (in)	877 (34.5)	928 (36.5)	928 (36.5)	928 (36.5)	928 (36.5)	902 (35.5)	915 (36.0)	1008 (39.7)	
H10	mm (in)	45 (1.8)	45 (1.8)	45 (1.8)	45 (1.8)	45 (1.8)	45 (1.8)	45 (1.8)	45 (1.8)	
H11	S L X U	mm (in)	—	—	—	—	—	—	—	
			31 (1.2)	27 (1.1)	33 (1.3)	—	33 (1.3)	—	26 (1.0)	35 (1.4)
			31 (1.2)	27 (1.1)	—	32 (1.3)	32 (1.3)	25 (1.0)	—	—
			—	—	—	—	—	25 (1.0)	—	—
W1	mm (in)	262 (10.3)	256 (10.1)	274 (10.8)	274 (10.8)	274 (10.8)	317 (12.5)	318 (12.5)	332 (13.1)	
W2	mm (in)	137 (5.4)	—	—	—	—	—	—	—	
W3	mm (in)	—	—	—	—	—	—	—	—	
W4	mm (in)	—	—	—	—	—	—	—	—	
W5	mm (in)	422 (16.6)	433 (17.1)	425 (16.7)	425 (16.7)	425 (16.7)	453 (17.8)	464 (18.3)	496 (19.5)	
W6	mm (in)	665 (26.2)	—	—	—	—	—	—	—	
A1	degree	35	35	32	32	32	32	35	35	
A2	degree	66	70	66	66	66	70	67	66	
A3	degree	4	4	4	4	4	3	4	4	
T1	mm (in)	660 (26.0)	660 (26.0)	—	—	660 (26.0)	724 (28.5)	—	—	

OUTBOARD MOTOR DIMENSIONS

OVERALL DIMENSIONS (4-STROKE)

Symbol		Global model (NOA, ANZ model)	F/FL225FET (F/LF225CA) F/FL250DET (F/LF250CA) F/FL300BET (F/LF300CA)	F/FL350AET (F/LF350CB)
L1		mm (in)	728 (28.7)	776 (30.6)
L2		mm (in)	230 (9.1)	255 (10.0)
L3		mm (in)	—	—
L4		mm (in)	673 (26.5)	732 (28.8)
L5	S	mm (in)	—	—
	L		—	—
	X		59 (2.3)	48.4 (1.9)
	U		59 (2.3)	48.4 (1.9)
L6	S	mm (in)	—	—
	L		—	—
	X		1155 (45.5)	1193 (47.0)
	U		1272 (50.1)	1310 (51.6)
L7		mm (in)	639 (25.2)	712 (28.0)
L8		mm (in)	240 (9.4)	258 (10.2)
L9	S	mm (in)	—	—
	L		—	—
	X		53 (2.1)	56 (2.2)
	U		59 (2.3)	62 (2.4)
L10		mm (in)	75 (3.0)	73 (2.9)
H1	S	mm (in)	—	—
	L		—	—
	X		1078 (42.4)	1098 (43.2)
	U		1205 (47.4)	1225 (48.2)
H2		mm (in)	812 (32.0)	909 (35.8)
H3		mm (in)	216 (8.5)	229 (9.0)
H4	S	mm (in)	—	—
	L		—	—
	X		643 (25.3)	637 (25.1)
	U		770 (30.3)	764 (30.1)
H5		mm (in)	—	—
H6	S	mm (in)	—	—
	L		—	—
	X		847 (33.3)	864 (34.0)
	U		924 (36.4)	941 (37.0)
H7		mm (in)	510 (20.1)	588 (23.1)
H8		mm (in)	48 (1.9)	65 (2.6)
H9		mm (in)	951 (37.4)	1041 (41.0)
H10		mm (in)	45 (1.8)	49 (1.9)
H11	S	mm (in)	—	—
	L		—	—
	X		25 (1.0)	26 (1.0)
	U		25 (1.0)	26 (1.0)
W1		mm (in)	317 (12.5)	317 (12.5)
W2		mm (in)	—	—
W3		mm (in)	—	—
W4		mm (in)	—	—
W5		mm (in)	454 (17.9)	476 (18.7)
W6		mm (in)	—	—
A1		degree	32	32
A2		degree	67	70
A3		degree	3	3
T1		mm (in)	724 (28.5)	724 (28.5)

OUTBOARD MOTOR DIMENSIONS

OVERALL DIMENSIONS (2-STROKE)

Global model (NOA model)		Symbol	2CMH	3AMH	4ACMH 5CMH 5CSMH	E8DMH EK8DMH	15FMH	E9.9DMH E15DMH EK9.9DMH EK15DMH EK9.9JM EK15PMH	20DMH 25NWC 25NMH 25NMHO	E/25BMH 25BWC 25XMH E/30HMH 30HWH 30HWC EK25BMH EK25CMH
L1		mm (in)	275 (10.8)	311 (12.2)	344 (13.5)	346 (13.6)	393 (15.5)	405 (15.9)	428 (16.9)	429 (16.9)
L2		mm (in)	122 (4.8)	107 (4.2)	145 (5.7)	180 (7.1)	180 (7.1)	165 (6.5)	185 (7.3)	180 (7.1)
L3		mm (in)	328 (12.9)	317 (12.5)	333 (13.1)	372 (14.6)	479 (18.9)	473 (18.6)	508 (20.0)	420 (16.5)
L4		mm (in)	164 (6.5)	223 (8.8)	252 (9.9)	268 (10.6)	355 (14.0)	357 (14.0)	402 (15.8)	385 (15.2)
L5	S	mm (in)	34 (1.3)	16 (0.6)	16 (0.6)	23 (0.9)	78 (3.1)	79 (3.1)	79 (3.1)	61 (2.4)
	L		—	—	24 (0.9)	23 (0.9)	104 (4.1)	78 (3.1)	106 (4.2)	83 (3.3)
	Y		—	—	—	—	—	—	—	—
	X		—	—	—	23 (0.9)	—	78 (3.1)	—	83 (3.3)
L6	U	mm (in)	—	—	—	—	134 (5.3)	—	—	—
	S		589 (23.2)	636 (25.0)	635 (25.0)	657 (25.9)	718 (28.3)	708 (27.9)	739 (29.1)	736 (29.0)
	L		—	—	758 (29.8)	782 (30.8)	831 (32.7)	821 (32.3)	852 (33.5)	854 (33.6)
	Y		—	—	—	—	—	—	—	—
L7	X	mm (in)	—	—	—	—	—	947 (37.3)	—	933 (36.7)
	U		—	—	—	—	—	—	—	—
L8		mm (in)	276 (10.9)	311 (12.2)	331 (13.0)	354 (13.9)	314 (12.4)	334 (13.1)	337 (13.3)	405 (16.0)
L9		mm (in)	142 (5.6)	156 (6.1)	148 (5.8)	207 (8.1)	263 (10.4)	165 (6.5)	242 (9.5)	195 (7.7)
L10	S	mm (in)	—	—	—	—	—	0 (0.0)	—	—
	L		—	—	—	—	—	4 (0.2)	—	—
	Y		—	—	—	—	—	—	—	—
	X		—	—	—	—	—	—	—	—
L11	U	mm (in)	—	—	—	—	—	14 (0.5)	—	—
	S		—	—	—	—	—	—	—	—
L12		mm (in)	50 (2.0)	68 (2.7)	68 (2.7)	45 (1.8)	75 (3.0)	73 (2.9)	78 (3.1)	74.2 (2.9)
H1	S	mm (in)	614 (24.2)	654 (25.7)	653 (25.7)	685 (27.0)	705 (27.8)	706 (27.8)	703 (27.7)	707 (27.8)
	L		—	—	780 (30.7)	825 (32.5)	832 (32.8)	833 (32.8)	830 (32.7)	834 (32.8)
	Y		—	—	—	—	—	—	—	—
	X		—	—	—	—	—	975 (38.4)	—	920 (36.2)
H2	U	mm (in)	—	—	—	—	—	—	—	—
	S		302 (11.9)	343 (13.5)	358 (14.1)	359 (14.1)	335 (13.2)	356 (14.0)	365 (14.4)	439 (17.3)
H3		mm (in)	100 (3.9)	103 (4.1)	105 (4.1)	122 (4.8)	135 (5.3)	34 (1.4)	144 (5.7)	144 (5.7)
H4	S	mm (in)	417 (16.4)	441 (17.4)	444 (17.5)	442 (17.4)	440 (17.3)	441 (17.4)	419 (16.5)	423 (16.6)
	L		—	—	571 (22.5)	582 (22.9)	567 (22.3)	568 (22.4)	546 (21.5)	550 (21.6)
	Y		—	—	—	—	—	—	—	—
	X		—	—	—	—	—	710 (27.9)	—	636 (25.0)
H5	U	mm (in)	—	—	—	—	—	—	—	—
	S		462 (18.2)	484 (19.1)	396 (15.6)	415 (16.3)	467 (18.4)	474 (18.7)	491 (19.3)	466 (18.3)
H6	L	mm (in)	503 (19.8)	621 (24.4)	623 (24.5)	497 (19.6)	572 (22.5)	569 (22.4)	586 (23.1)	621 (24.4)
	Y		—	—	719 (28.3)	574 (22.6)	641 (25.2)	638 (25.2)	655 (25.8)	701 (27.6)
	X		—	—	—	—	—	—	—	—
	U		—	—	—	—	—	714 (28.1)	—	754 (29.7)
H7		mm (in)	38 (1.5)	342 (13.5)	104 (4.1)	86 (3.4)	138 (5.4)	—	186 (7.3)	118 (4.6)
H8		mm (in)	12 (0.5)	9 (0.35)	30 (1.2)	51 (2.0)	19 (0.7)	24 (0.9)	24 (0.9)	30 (1.2)
H9		mm (in)	397 (15.6)	419 (16.5)	459 (18.1)	465 (18.3)	526 (20.7)	555 (21.9)	584 (23.0)	596 (23.5)
H10		mm (in)	27 (1.0)	30 (1.2)	30 (1.2)	26 (1.0)	34 (1.3)	34 (1.4)	41 (1.6)	40 (1.6)
H11	S	mm (in)	—	—	—	—	—	—	—	—
	L		—	—	—	—	—	—	—	—
	Y		—	—	—	—	—	—	—	—
	X		—	—	—	—	—	—	—	—
H12	U	mm (in)	—	—	—	—	—	—	—	—
	S		—	—	—	—	—	—	—	—
W1		mm (in)	151 (5.9)	108 (4.3)	144 (5.7)	136 (5.4)	143 (5.6)	173 (6.8)	—	166 (6.5)
W2		mm (in)	125 (4.9)	181 (7.1)	178 (7.0)	192 (7.6)	189 (7.4)	—	206 (8.1)	233 (9.2)
W3		mm (in)	89 (3.5)	105 (4.1)	134 (5.3)	129 (5.1)	143 (5.6)	—	152 (6.0)	148 (5.8)
W4		mm (in)	—	—	—	158 (6.2)	—	185 (7.3)	177 (7.0)	192 (7.6)
W5		mm (in)	—	—	—	—	280 (11.0)	280 (11.0)	296 (11.7)	302 (11.9)
W6		mm (in)	—	—	—	—	497 (19.6)	493 (19.4)	528 (20.8)	472 (18.6)
A1		degree	360	360	360	360	45(P)/40(S)	40	40	40
A2		degree	73	76	76	80	63	63	67	68
A3		degree	—	—	—	—	—	4	—	—
T1		mm (in)	—	—	—	—	—	—	—	—

OUTBOARD MOTOR DIMENSIONS

OVERALL DIMENSIONS (2-STROKE)

Symbol		Global model (NOA model)	25BW 30HW	30DMH 30DMHO	30DEO	30DETO	E40GWH E40GMH EK40GMH	E40JMH E40JWH EK40JMH	E40JW	E/40XMH E40XWH
L1		mm (in)	429 (16.9)	465 (18.3)	465 (18.3)	489 (19.2)	504 (19.8)	504 (19.8)	504 (19.8)	533 (21.8)
L2		mm (in)	180 (7.09)	198 (7.8)	114 (4.5)	89 (3.5)	188 (7.4)	188 (7.4)	188 (7.4)	118 (4.6)
L3		mm (in)	—	497 (19.6)	—	—	493 (19.4)	493 (19.4)	—	523 (20.6)
L4		mm (in)	385 (15.2)	496 (19.5)	496 (19.5)	520 (20.5)	421 (16.6)	421 (16.6)	478 (18.8)	522 (20.6)
L5	S	mm (in)	—	85 (3.3)	85 (3.3)	—	94 (3.7)	94 (3.7)	—	65 (2.6)
	L		83 (3.3)	90 (3.5)	90 (3.5)	103 (4.1)	94 (3.7)	94 (3.7)	94 (3.7)	91 (3.6)
	Y		—	—	99 (3.9)	—	—	94 (3.7)	—	—
	X		—	—	—	—	—	—	—	91 (3.6)
L6	U	mm (in)	—	—	—	—	—	—	—	—
	S		—	752 (29.6)	752 (29.6)	—	784 (30.9)	784 (30.9)	—	826 (32.5)
	L		854 (33.6)	859 (33.8)	859 (33.8)	870 (34.2)	897 (35.3)	897 (35.3)	910 (35.8)	940 (37.0)
	Y		—	—	895 (35.2)	—	—	943 (37.1)	—	—
L7	X	mm (in)	—	—	—	—	—	—	—	1043 (41.1)
	U		—	—	—	—	—	—	—	—
L8		mm (in)	405 (15.9)	387 (15.2)	375 (14.8)	356 (14.0)	427 (16.8)	427 (16.8)	427 (16.8)	397 (15.6)
L9		mm (in)	195 (7.7)	228 (9.0)	173 (6.8)	158 (6.2)	193 (7.6)	193 (7.6)	193 (7.6)	294 (11.6)
L9	S	mm (in)	—	—	—	—	—	—	—	3 (0.1)
	L		—	—	—	—	—	—	—	8 (0.3)
	Y		—	—	—	—	—	—	—	—
	X		—	—	—	—	—	—	—	16 (0.6)
L10	U	mm (in)	—	—	—	—	—	—	—	—
	S		74.2 (2.9)	73 (2.9)	73 (2.9)	65 (2.6)	72 (2.8)	72 (2.8)	72 (2.8)	65 (2.6)
H1	L	mm (in)	—	712 (28.0)	712 (28.0)	—	771 (30.4)	771 (30.4)	—	767 (30.2)
	Y		834 (32.8)	833 (32.8)	833 (32.8)	835 (32.9)	898 (35.4)	898 (35.4)	891 (35.1)	893 (35.2)
	X		—	—	874 (34.4)	—	—	948 (37.3)	—	—
	U		—	—	—	—	—	—	—	1007 (39.6)
H2		mm (in)	439 (17.3)	446 (17.6)	428 (16.9)	426 (16.8)	444 (17.5)	444 (17.5)	444 (17.5)	471 (18.5)
H3		mm (in)	144 (5.7)	148 (5.8)	148 (5.8)	148 (5.8)	162 (6.4)	162 (6.4)	175 (6.9)	175 (6.9)
H4	S	mm (in)	—	424 (16.7)	424 (16.7)	—	444 (17.5)	444 (17.5)	—	424 (16.7)
	L		550 (21.6)	545 (21.5)	545 (21.5)	547 (21.5)	570 (22.4)	570 (22.4)	548 (21.6)	550 (21.7)
	Y		—	—	586 (23.1)	—	—	622 (24.5)	—	—
	X		—	—	—	—	—	—	—	664 (26.1)
H5	U	mm (in)	—	—	—	—	—	—	—	—
	S		—	445 (17.5)	—	—	533 (21.0)	533 (21.0)	533 (21.0)	—
H6	L	mm (in)	—	584 (23.0)	584 (23.0)	—	622 (24.5)	622 (24.5)	—	626 (24.6)
	Y		701 (27.6)	648 (25.5)	648 (25.5)	651 (25.6)	691 (27.2)	691 (27.2)	683 (26.9)	697 (27.4)
	X		—	—	670 (26.4)	—	—	719 (28.3)	—	—
	U		—	—	—	—	—	—	—	761 (30.0)
H7		mm (in)	118 (4.65)	278 (10.9)	224 (8.8)	244 (9.6)	127 (5.0)	127 (5.0)	127 (5.0)	159 (6.3)
H8		mm (in)	30 (1.2)	29 (1.1)	9 (0.3)	8.7 (0.3)	30 (1.2)	30 (1.2)	30 (1.2)	38 (1.5)
H9		mm (in)	596 (23.5)	657 (25.9)	647 (25.5)	661 (26.0)	695 (27.4)	695 (27.4)	695 (27.4)	702 (27.6)
H10		mm (in)	40.3 (1.6)	44 (1.7)	44 (1.7)	42 (16.5)	45 (1.8)	45 (1.8)	45 (1.8)	43 (1.7)
H11	S	mm (in)	—	—	—	—	—	—	—	25 (1.0)
	L		—	—	—	22 (0.9)	—	—	—	24 (0.9)
	Y		—	—	—	—	—	—	—	—
	X		—	—	—	—	—	—	—	24 (0.9)
W1	U	mm (in)	—	—	—	—	—	—	—	—
	S		166 (6.54)	—	154 (6.1)	154 (6.1)	190 (7.5)	190 (7.5)	190 (7.5)	182 (7.2)
W2		mm (in)	—	208 (8.2)	—	152 (6.0)	294 (11.6)	294 (11.6)	—	220.5 (8.7)
W3		mm (in)	148 (5.83)	152 (6.0)	—	—	173 (6.8)	173 (6.8)	173 (6.8)	182 (7.2)
W4		mm (in)	192 (7.56)	179 (7.0)	—	—	205 (8.1)	205 (8.1)	205 (8.1)	—
W5		mm (in)	302 (11.89)	310 (12.2)	310 (12.2)	310 (12.2)	360 (14.2)	360 (14.2)	360 (14.2)	369 (14.5)
W6		mm (in)	217 (8.54)	522 (20.6)	—	—	602 (23.7)	602 (23.7)	602 (23.7)	592 (23.3)
A1		degree	40	40	40	40	45	45	45	42
A2		degree	68	70	70	61	67	67	67	64
A3		degree	—	—	—	4	—	—	—	—
T1		mm (in)	—	—	—	—	—	—	—	—

OUTBOARD MOTOR DIMENSIONS

OVERALL DIMENSIONS (2-STROKE)

Global model (NOA model)		Symbol	E/40XW	E/40XWT	40VMHO 50HMHO	40VEO	40VETO 50HET 50HETO	40VMHD 40VWHDO 40VWHTO 50HMHD 50HWHD 50HWHTO	E48CMH E55CMH	55BED S-transom
L1		mm (in)	553 (21.8)	533 (21.8)	490 (19.3)	490 (19.3)	528 (20.8)	528 (20.8)	487 (19.2)	531 (20.9)
L2		mm (in)	118 (4.6)	118 (4.6)	257 (10.1)	178 (7.0)	142 (5.6)	221 (8.7)	298 (11.7)	159 (6.3)
L3		mm (in)	—	—	789 (31.1)	—	—	753 (29.6)	680 (26.8)	—
L4		mm (in)	522 (20.6)	522 (20.6)	493 (19.4)	493 (19.4)	529 (20.8)	529 (20.8)	487 (19.2)	531 (20.9)
L5	S	mm (in)	65 (2.6)	—	—	—	—	—	54 (2.1)	87 (3.4)
	L		91 (3.6)	91 (3.6)	—	—	77 (3.0)	77 (3.0)	71 (2.8)	—
	Y		—	—	—	—	—	—	—	—
	X		—	—	—	—	—	—	—	—
L6	U	mm (in)	—	—	—	—	—	—	—	—
	S		826 (32.5)	—	798 (31.4)	798 (31.4)	—	—	827 (32.6)	818 (32.2)
	L		940 (37.0)	935 (36.8)	910 (35.8)	910 (35.8)	937 (36.9)	937 (36.9)	932 (36.7)	—
	Y		—	—	—	—	—	—	—	—
L7	X	mm (in)	—	935 (36.8)	—	—	—	—	—	—
	U		—	—	—	—	—	—	—	—
L8		mm (in)	397 (15.6)	391 (15.4)	433 (17.0)	401 (15.8)	387 (15.2)	418 (16.5)	437 (17.2)	392 (15.4)
L9		mm (in)	—	—	273 (10.7)	179 (7.0)	153 (6.0)	246 (9.7)	280 (11.0)	154 (6.1)
L9	S	mm (in)	3 (0.1)	—	—	—	—	—	—	—
	L		8 (0.3)	8 (0.3)	—	—	10 (0.4)	10 (0.4)	—	—
	Y		—	—	—	—	—	—	—	—
	X		—	8 (0.3)	—	—	—	—	—	—
L10	U	mm (in)	—	—	—	—	—	—	—	—
	S		65 (2.6)	65 (2.6)	72 (2.8)	72 (2.8)	63 (2.5)	63 (2.5)	77 (3.0)	67 (2.6)
H1	L	mm (in)	767 (30.2)	—	751 (29.6)	751 (29.6)	—	—	809 (31.9)	758 (29.8)
	Y		893 (35.2)	893 (35.2)	878 (34.6)	878 (34.6)	880 (34.6)	880 (34.6)	931 (36.7)	—
	X		—	—	—	—	—	—	—	—
	U		—	893 (35.2)	—	—	—	—	—	—
H2		mm (in)	—	—	—	—	—	—	—	
H3		mm (in)	471 (18.5)	471 (18.5)	472 (18.6)	441 (17.4)	439 (17.3)	470 (18.5)	449 (17.7)	424 (16.7)
H4	S	mm (in)	175 (6.9)	175 (6.9)	175 (6.9)	175 (6.9)	175 (6.9)	175 (6.9)	191 (7.5)	191 (7.5)
	L		424 (16.7)	—	408 (16.1)	408 (16.1)	—	—	451 (17.8)	399 (15.7)
	Y		550 (21.7)	550 (21.7)	535 (21.1)	535 (21.1)	537 (21.1)	537 (21.1)	572 (22.5)	—
	X		—	—	—	—	—	—	—	—
H5	U	mm (in)	—	550 (21.7)	—	—	—	—	—	—
	S		—	—	—	—	—	—	—	—
H6	L	mm (in)	—	532 (20.9)	731 (28.8)	—	—	728 (28.7)	568 (22.4)	—
	Y		626 (24.6)	—	579 (22.8)	579 (22.8)	—	—	591 (23.3)	636 (25.0)
	X		697 (27.4)	637 (25.1)	646 (25.4)	646 (25.4)	709 (27.9)	709 (27.9)	652 (25.7)	—
	U		—	637 (25.1)	—	—	—	—	—	—
H7		mm (in)	—	—	—	—	—	—	—	
H8		mm (in)	159 (6.3)	176 (6.9)	201 (7.9)	217 (8.5)	222 (8.7)	204 (8.0)	171 (6.7)	158 (6.2)
H9		mm (in)	—	—	55 (2.2)	17 (0.7)	0 (0.0)	43 (1.7)	93 (3.7)	12 (0.5)
H10		mm (in)	702 (27.6)	706 (27.8)	683 (26.9)	671 (26.4)	688 (27.1)	696 (27.4)	684 (26.9)	695 (27.4)
H11	S	mm (in)	43 (1.7)	43 (1.7)	44 (1.7)	44 (1.7)	44 (1.7)	44 (1.7)	42 (1.7)	47 (1.9)
	L		25 (1.0)	—	—	—	20 (0.8)	—	22 (0.9)	24 (0.9)
	Y		24 (0.9)	24 (0.9)	—	—	19 (0.7)	19 (0.7)	21 (0.8)	—
	X		—	—	—	—	—	—	—	—
W1	U	mm (in)	—	24 (0.9)	—	—	—	—	—	—
	S		—	—	—	—	—	—	—	—
W2		mm (in)	182 (7.2)	182 (7.2)	—	180 (7.1)	180 (7.1)	180 (7.1)	—	166 (6.5)
W3		mm (in)	—	—	124 (4.9)	—	—	124 (4.9)	159 (6.3)	—
W4		mm (in)	182 (7.2)	182 (7.2)	175 (6.9)	175 (6.9)	175 (6.9)	175 (6.9)	165 (6.5)	—
W5		mm (in)	—	—	—	180 (7.1)	180 (7.1)	180 (7.1)	—	—
W6		mm (in)	369 (14.5)	369 (14.5)	340 (13.4)	340 (13.4)	340 (13.4)	340 (13.4)	268 (10.6)	271 (10.7)
A1		degree	—	—	641 (25.2)	—	—	641 (25.2)	507 (20.0)	—
A2		degree	42	42	40	40	40	40	30	30
A3		degree	64	61	62	62	65	65	64	68
T1		mm (in)	—	4	—	—	4	4	—	—

OUTBOARD MOTOR DIMENSIONS

OVERALL DIMENSIONS (2-STROKE)

Global model (NOA model)		55BED L-transom	55BET	55DEHD	E60HMHD E60HWHHD	E60HWD	60FEDO S-transom	60FEDO L-transom	60FETO 70BETO S-transom		
Symbol											
L1	mm (in)	516 (20.3)	516 (20.3)	545 (21.5)	532 (20.9)	532 (20.9)	547 (21.5)	532 (20.9)	547 (21.5)		
L2	mm (in)	174 (6.9)	174 (6.9)	180 (7.1)	269 (10.6)	269 (10.6)	151 (5.9)	166 (6.5)	151 (5.9)		
L3	mm (in)	—	—	790 (31.1)	651 (25.6)	651 (25.6)	—	—	—		
L4	mm (in)	516 (20.3)	516 (20.3)	547 (21.5)	546 (21.5)	546 (21.5)	562 (22.1)	547 (21.5)	562 (22.1)		
L5	S L Y X U	mm (in)	—	—	—	97 (3.8)	—	113 (4.4)	—	113 (4.4)	
			90 (3.5)	90 (3.5)	88 (3.5)	99 (3.9)	99 (3.9)	—	91 (3.6)	—	
			—	—	—	—	—	—	—	—	—
			—	—	—	—	—	—	—	—	—
L6	S L Y X U	mm (in)	—	—	—	913 (35.9)	—	868 (34.2)	—	868 (34.2)	
			919 (36.2)	919 (36.2)	968 (38.1)	1020 (40.2)	1020 (40.2)	—	968 (38.1)	—	
			—	—	—	—	—	—	—	—	—
			—	—	—	—	—	—	—	—	—
L7	mm (in)	400 (15.7)	400 (15.7)	—	457 (18.0)	457 (18.0)	403 (15.9)	411 (16.2)	403 (15.9)		
L8	mm (in)	164 (6.5)	164 (6.5)	164 (6.5)	256 (10.1)	256 (10.1)	206 (8.1)	214 (8.4)	206 (8.1)		
L9	S L Y X U	mm (in)	—	—	—	-6 (-0.2)	—	—	—	0.0 (0.0)	
			—	14 (0.6)	—	4 (0.16)	—	—	—	—	
			—	—	—	—	—	—	—	—	
			—	—	—	—	—	—	—	—	
L10	mm (in)	67 (2.6)	67 (2.6)	67 (2.6)	67 (2.6)	67 (2.6)	67 (2.6)	67 (2.6)	67 (2.6)		
H1	S L Y X U	mm (in)	—	—	—	831 (32.7)	—	780 (30.7)	—	780 (30.7)	
			879 (34.6)	879 (34.6)	901 (35.5)	954 (37.6)	954 (37.6)	—	901 (35.5)	—	
			—	—	—	—	—	—	—	—	—
			—	—	—	—	—	—	—	—	—
H2	mm (in)	424 (16.7)	424 (16.7)	520 (20.5)	528 (20.8)	528 (20.8)	472 (18.6)	472 (18.6)	472 (18.6)		
H3	mm (in)	191 (7.5)	191 (7.5)	191 (7.5)	191 (7.5)	191 (7.5)	191 (7.5)	191 (7.5)	191 (7.5)		
H4	S L Y X U	mm (in)	—	—	—	450 (17.7)	—	400 (15.7)	—	400 (15.7)	
			520 (20.5)	520 (20.5)	520 (20.5)	538 (21.2)	538 (21.2)	—	520 (20.5)	—	
			—	—	—	—	—	—	—	—	—
			—	—	—	—	—	—	—	—	—
H5	mm (in)	—	—	—	753 (29.6)	753 (29.6)	—	—	—		
H6	S L Y X U	mm (in)	—	—	—	670 (26.4)	—	645 (25.4)	—	645 (25.4)	
			689 (27.1)	689 (27.1)	698 (27.5)	722 (28.4)	722 (28.4)	—	696 (27.4)	—	
			—	—	—	—	—	—	—	—	—
			—	—	—	—	—	—	—	—	—
H7	mm (in)	147 (5.8)	147 (5.8)	—	216 (8.5)	216 (8.5)	262 (10.3)	249 (9.8)	262 (10.3)		
H8	mm (in)	25 (1.0)	25 (1.0)	23 (0.9)	81 (3.2)	81 (3.2)	-24 (-0.9)	-11 (-0.4)	-24 (-0.9)		
H9	mm (in)	682 (26.9)	682 (26.9)	743 (29.3)	722 (28.4)	722 (28.4)	719 (28.3)	706 (27.8)	719 (28.3)		
H10	mm (in)	47 (1.9)	47 (1.9)	47 (1.9)	46 (1.8)	46 (1.8)	47 (1.9)	47 (1.9)	47 (1.9)		
H11	S L Y X U	mm (in)	24 (0.9)	24 (0.9)	—	27 (1.1)	—	—	—	0 (0.0)	
			—	—	—	27 (1.1)	27 (1.1)	—	—	—	
			—	—	—	—	—	—	—	—	—
			—	—	—	—	—	—	—	—	—
W1	mm (in)	166 (6.5)	166 (6.5)	211 (8.3)	—	—	182 (7.2)	182 (7.2)	182 (7.2)		
W2	mm (in)	—	—	—	159 (6.3)	—	—	—	—		
W3	mm (in)	—	166 (6.5)	187 (7.4)	182 (7.2)	182 (7.2)	—	—	—		
W4	mm (in)	—	—	—	—	—	—	—	—		
W5	mm (in)	271 (10.7)	271 (10.7)	331 (13.0)	322 (12.7)	322 (12.7)	321 (12.6)	321 (12.6)	321 (12.6)		
W6	mm (in)	—	—	—	553 (21.8)	—	—	—	—		
A1	degree	30	30	30	35	35	35	35	35		
A2	degree	68	68	67	67	67	63	67	63		
A3	degree	—	4	—	2.8	2.8	0	4	0		
T1	mm (in)	—	—	—	—	—	—	—	—		

OUTBOARD MOTOR DIMENSIONS

OVERALL DIMENSIONS (2-STROKE)

Symbol		Global model (NOA model)	60FET	55DEHD	75AED	75AET	E75BMHD	75CETO	E115AMH	E115AE
			60FETO 70BETO L-transom	75AEHD 85AEHD	85AED	85AET		90AETO	E115AWH	
L1		mm (in)	532 (20.9)	545 (21.5)	545 (21.5)	545 (21.5)	545 (21.5)	545 (21.5)	539 (21.2)	539 (21.2)
L2		mm (in)	166 (6.5)	180 (7.1)	180 (7.1)	180 (7.1)	270 (10.6)	180 (7.1)	325 (12.8)	213 (8.4)
L3		mm (in)	—	790 (31.1)	—	—	652 (25.7)	—	845 (33.3)	—
L4		mm (in)	547 (21.5)	547 (21.5)	547 (21.5)	547 (21.5)	547 (21.5)	547 (21.5)	616 (24.3)	616 (24.3)
L5	S	mm (in)	—	—	—	—	—	—	—	—
	L		91 (3.6)	88 (3.5)	88 (3.5)	88 (3.5)	81 (3.2)	88 (3.5)	80 (3.1)	80 (3.1)
	Y		—	85 (3.3)	—	—	80 (3.1)	—	75 (3.0)	—
	X		—	85 (3.3)	80 (3.1)	80 (3.1)	70 (2.8)	80 (3.1)	85 (3.3)	85 (3.3)
L6	U	mm (in)	—	—	—	—	—	—	—	—
	S		968 (38.1)	968 (38.1)	968 (38.1)	968 (38.1)	966 (38.0)	968 (38.1)	1005 (39.6)	1005 (39.6)
	L		—	1015 (40.0)	—	—	1011 (39.8)	—	1055 (41.5)	—
	Y		—	1080 (42.5)	1080 (42.5)	1080 (42.5)	1078 (42.4)	1080 (42.5)	1120 (44.1)	1120 (44.1)
L7	X	mm (in)	—	—	—	—	—	—	—	—
	U		411 (16.2)	459 (18.1)	459 (18.1)	459 (18.1)	542 (21.3)	457 (18.0)	570 (22.4)	482 (19.0)
	S		214 (8.4)	164 (6.5)	164 (6.5)	164 (6.5)	256 (10.1)	164 (6.5)	270 (10.6)	214 (8.4)
	L		—	—	—	—	—	—	—	—
L8	Y	mm (in)	—	—	—	—	—	—	—	—
	X		14 (0.6)	—	—	14 (0.6)	—	14 (0.6)	—	—
	U		—	—	—	—	—	—	—	—
	S		—	—	—	23 (0.9)	—	31 (1.2)	—	—
L9		mm (in)	67 (2.6)	67 (2.6)	67 (2.6)	67 (2.6)	68 (2.7)	67 (2.6)	64 (2.5)	64 (2.5)
H1	S	mm (in)	—	—	—	—	—	—	—	—
	L		901 (35.5)	901 (35.5)	901 (35.5)	901 (35.5)	902 (35.5)	901 (35.5)	929 (36.6)	929 (36.6)
	Y		—	952 (37.5)	—	—	953 (37.5)	—	982 (38.7)	—
	X		—	1028 (40.5)	1028 (40.5)	1028 (40.5)	1028 (40.5)	1028 (40.5)	1056 (41.6)	1056 (41.6)
H2	U	mm (in)	—	—	—	—	—	—	—	—
	S		472 (18.6)	520 (20.5)	520 (20.5)	520 (20.5)	590 (23.2)	512 (20.2)	631 (24.8)	508 (20.0)
	L		191 (7.5)	191 (7.5)	191 (7.5)	191 (7.5)	191 (7.5)	191 (7.5)	190 (7.5)	190 (7.5)
	Y		—	—	—	—	—	—	—	—
H3	X	mm (in)	520 (20.5)	520 (20.5)	520 (20.5)	520 (20.5)	521 (20.5)	520 (20.5)	515 (20.3)	515 (20.3)
	U		—	571 (22.5)	—	—	572 (22.5)	—	568 (22.4)	—
	S		—	647 (25.5)	647 (25.5)	647 (25.5)	648 (25.5)	647 (25.5)	642 (25.3)	642 (25.3)
	L		—	—	—	—	—	—	—	—
H4		mm (in)	—	—	—	—	555 (21.9)	—	695 (27.4)	—
H5	S	mm (in)	696 (27.4)	698 (27.5)	698 (27.5)	698 (27.5)	698 (27.5)	698 (27.5)	735 (28.9)	735 (28.9)
	L		—	729 (28.7)	—	—	725 (28.5)	—	765 (30.1)	—
	Y		—	764 (30.1)	764 (30.1)	764 (30.1)	766 (30.2)	764 (30.1)	810 (31.9)	810 (31.9)
	X		—	—	—	—	—	—	—	—
H6		mm (in)	249 (9.8)	199 (7.8)	199 (7.8)	199 (7.8)	253 (10.0)	226 (8.9)	150 (5.9)	150 (5.9)
H7		mm (in)	-11 (-0.4)	23 (0.9)	23 (0.9)	23 (0.9)	84 (3.3)	23 (0.9)	155 (6.1)	53 (2.1)
H8		mm (in)	706 (27.8)	743 (29.3)	743 (29.3)	743 (29.3)	778 (30.6)	730 (28.7)	780 (30.7)	730 (28.7)
H9		mm (in)	47 (1.9)	47 (1.9)	47 (1.9)	47 (1.9)	46 (1.8)	47 (1.9)	45 (1.8)	45 (1.8)
H10	S	mm (in)	—	—	—	—	—	—	—	—
	L		28 (1.1)	—	—	27 (1.1)	—	27 (1.1)	—	—
	Y		—	—	—	—	—	—	—	—
	X		—	—	—	27 (1.1)	—	27 (1.1)	—	—
H11	U	mm (in)	—	—	—	—	—	—	—	—
	S		182 (7.2)	211 (8.3)	187 (7.4)	187 (7.4)	—	187 (7.4)	300 (11.8)	297 (11.7)
	L		—	—	—	—	159 (6.3)	—	210 (8.3)	—
	Y		—	187 (7.4)	187 (7.4)	187 (7.4)	187 (7.4)	187 (7.4)	300 (11.8)	297 (11.7)
W1		mm (in)	—	—	—	—	—	300 (11.8)	—	
W2		mm (in)	321 (12.6)	331 (13.0)	331 (13.0)	331 (13.0)	331 (13.0)	331 (13.0)	424 (16.7)	422 (16.6)
W3		mm (in)	—	—	—	—	506 (19.9)	—	705 (27.8)	—
W4		mm (in)	—	—	—	—	—	—	—	—
W5		mm (in)	—	—	—	—	—	—	—	—
W6		mm (in)	—	—	—	—	—	—	—	—
A1		degree	35	30	30	30	30	30	35	35
A2		degree	67	67	67	67	67	67	66	66
A3		degree	4	—	—	4	—	4	—	—
T1		mm (in)	—	—	600 (23.6)	600 (23.6)	—	600 (23.6)	—	660 (26.0)

OUTBOARD MOTOR DIMENSIONS

OVERALL DIMENSIONS (2-STROKE)

Global model (NOA model)		Symbol	mm (in)	E115AET	L/150AET L/200AET
L1			mm (in)	539 (21.2)	543 (21.4)
L2			mm (in)	213 (8.4)	188 (7.4)
L3			mm (in)	—	—
L4			mm (in)	616 (24.3)	634 (25.0)
L5	S	mm (in)		—	—
	L		80 (3.1)	49 (1.9)	
	Y		—	—	
	X		85 (3.3)	62 (2.4)	
L6	U	mm (in)		—	—
	S		1005 (39.6)	1030 (40.6)	
	L		—	—	
	Y		1120 (44.1)	1144 (45.0)	
L7	X	mm (in)		—	—
	U		482 (19.0)	569 (22.4)	
L8			mm (in)	215 (8.5)	173 (6.8)
L9	S	mm (in)		—	—
	L		12 (0.5)	54 (2.1)	
	Y		—	—	
	X		12 (0.5)	62 (2.4)	
L10	U	mm (in)		—	—
			64 (2.5)	74 (2.9)	
H1	S	mm (in)		—	—
	L		929 (36.6)	946 (37.2)	
	Y		—	—	
	X		1056 (41.6)	1072 (42.2)	
H2	U	mm (in)		—	—
			508 (20.0)	631 (24.8)	
H3			mm (in)	190 (7.5)	210 (8.3)
H4	S	mm (in)		—	—
	L		515 (20.3)	516 (20.3)	
	Y		—	—	
	X		642 (25.3)	642 (25.3)	
H5	U	mm (in)		—	—
			—	—	
H6	S	mm (in)		—	—
	L		735 (28.9)	762 (30.0)	
	Y		—	—	
	X		810 (31.9)	837 (33.0)	
H7	U	mm (in)		—	—
			150 (5.9)	205 (8.1)	
H8			mm (in)	55 (2.2)	26 (1.0)
H9			mm (in)	730 (28.7)	788 (31.0)
H10			mm (in)	45 (1.8)	45.4 (1.8)
H11	S	mm (in)		—	—
	L		—	31 (1.2)	
	Y		—	—	
	X		—	31 (1.2)	
W1	U	mm (in)		—	—
			300 (11.8)	301 (11.9)	
W2			mm (in)	—	—
W3			mm (in)	300 (11.8)	—
W4			mm (in)	—	—
W5			mm (in)	424 (16.7)	426 (16.8)
W6			mm (in)	—	—
A1			degree	35	35
A2			degree	70	70
A3			degree	4	4
T1			mm (in)	660 (26.0)	660 (26.0)

OUTBOARD MOTOR DIMENSIONS

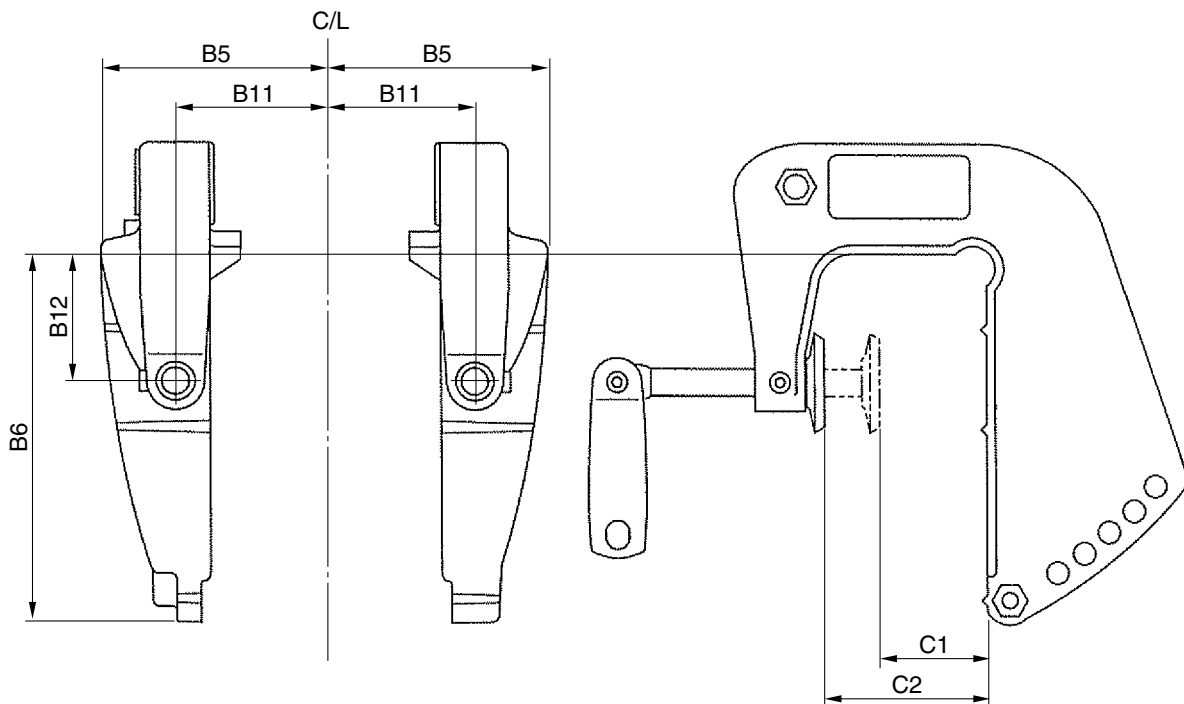
CLAMP BRACKET DIMENSION ITEMS

Symbol	Definition and Description
B1	Horizontal dimension from centerline of motor body to lower bracket mounting hole (slot)
B2	Vertical dimension from transom top to lower bracket mounting hole (slot)
B3	Horizontal dimension from centerline of motor body to the center of upper bracket mounting hole
B4	Vertical dimension from transom top to the center of upper bracket mounting hole
B5	Horizontal dimension from centerline of motor body to the point of largest width on the bracket
B6	Vertical dimension from transom top to lowest point on the bracket
B7	Horizontal dimension from centerline of motor body to the center of lower extra bracket mounting hole
B8	Vertical dimension from transom top to the center of extra hole at the lower part of bracket
B9	Dimensions between the upper bracket mounting bolts (when holes are at even intervals)
B10	Dimensions between the upper bracket mounting bolts (when holes are not at even intervals)
B11	Horizontal dimensions from centerline of motor body to the clamping bolt center
B12	Vertical dimensions from transom top to the clamping bolt center
B13	Mount flange thickness of clamp bracket
C1	Allowable transom board thickness when clamping screw is driven-in to the least extent
C2	Allowable transom board thickness when clamping screw is driven-in to the full extent
C3	Maximum allowable transom plate thickness for mounting the motor
D1	Diameter of bracket (main) lower mounting hole, or screw
D2	Diameter of bracket (main) mounting hole, or screw (lower mounting hole diameter, or, for slot, center-to-center distance of both end circles)
D3	Diameter of bracket mounting (sub) hole
D4	Diameter of central bracket mounting extra hole or the screw size
AN1	Vertical dimension from bottom of clamp bracket to the bottom end of anode
AN2	Horizontal dimension from centerline of motor (anode) to the point of largest width of anode

OUTBOARD MOTOR DIMENSIONS

CLAMP BRACKET DIMENSIONS

Global model	4AC	5C	5CS	F4B	F5A	F6C		
NOA model				F4A		F6A		
Manual tilt								

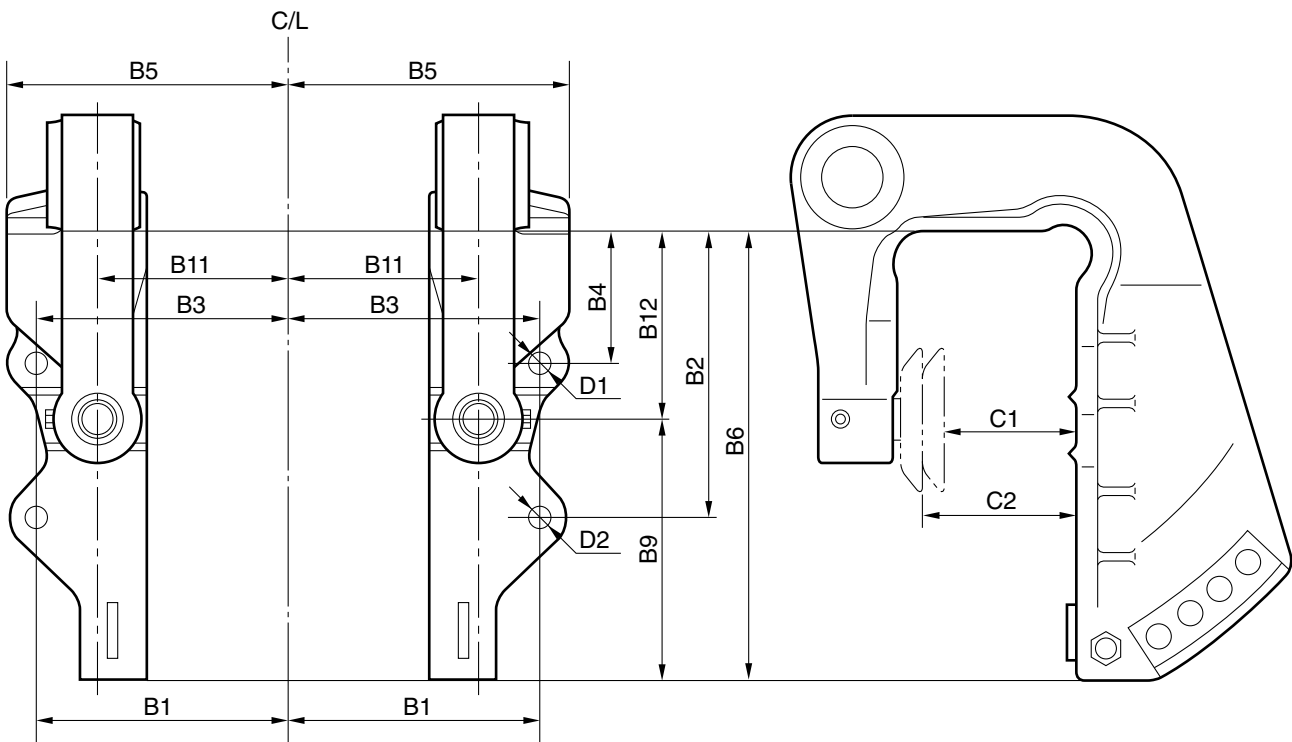


Symbol	mm (in.)	Symbol	mm (in.)	Symbol	mm (in.)	Symbol	mm (in.)
B1	—	B8	—	C1	22 (0.9)	D1	—
B2	—	B9	—	C2	58 (2.3)	D2	—
B3	—	B10	—	C3	—	D3	—
B4	—	B11	55 (2.2)			D4	—
B5	83 (3.3)	B12	48 (1.9)				
B6	136 (5.4)						
B7	—						

OUTBOARD MOTOR DIMENSIONS

CLAMP BRACKET DIMENSIONS

Global model	9.9F	15F						
NOA model								
Manual tilt								

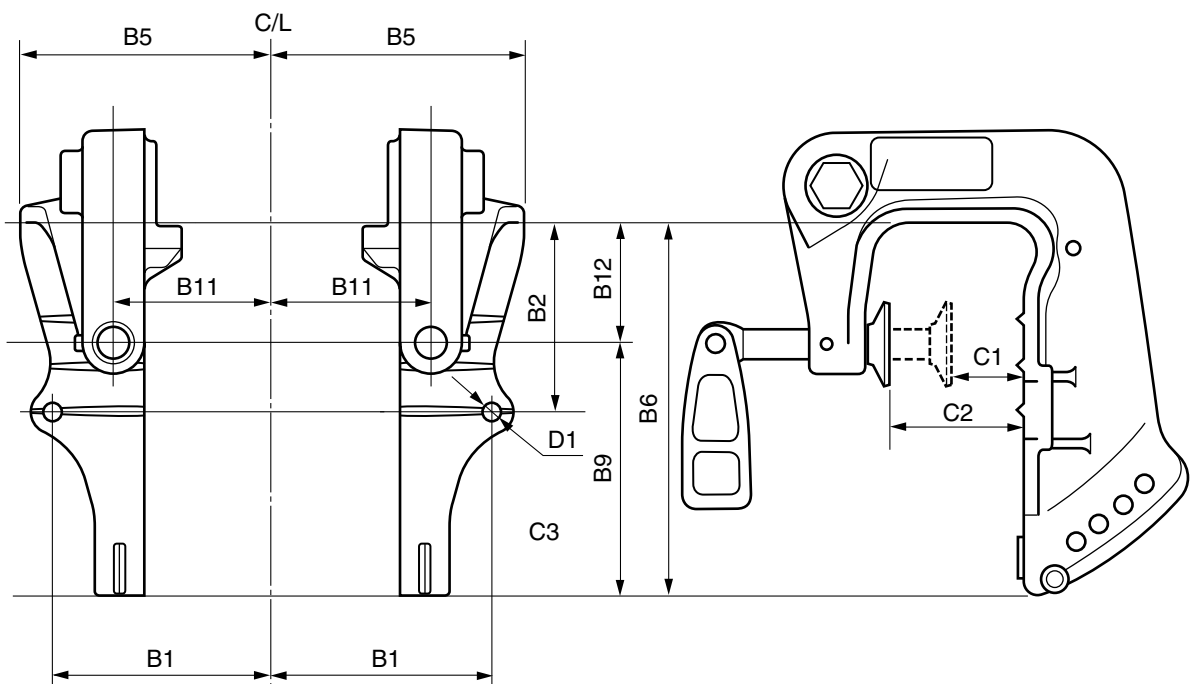


Symbol	mm (in.)	Symbol	mm (in.)	Symbol	mm (in.)	Symbol	mm (in.)
B1	92.5 (3.6)	B8	—	C1	30 (1.2)	D1	8.3 (0.3)
B2	103.5 (4.1)	B9	54.5 (2.1)	C2	56 (2.2)	D2	8.3 (0.3)
B3	92.5 (3.6)	B10	—	C3	—	D3	—
B4	49 (1.9)	B11	70.5 (2.8)			D4	—
B5	102.5 (4.0)	B12	69 (2.7)				
B6	176 (6.9)						
B7	—						

OUTBOARD MOTOR DIMENSIONS

CLAMP BRACKET DIMENSIONS

Global model	E9.9D	E15D	EK9.9D	EK15D	EK9.9J	EK15P		
NOA model								
Manual tilt								

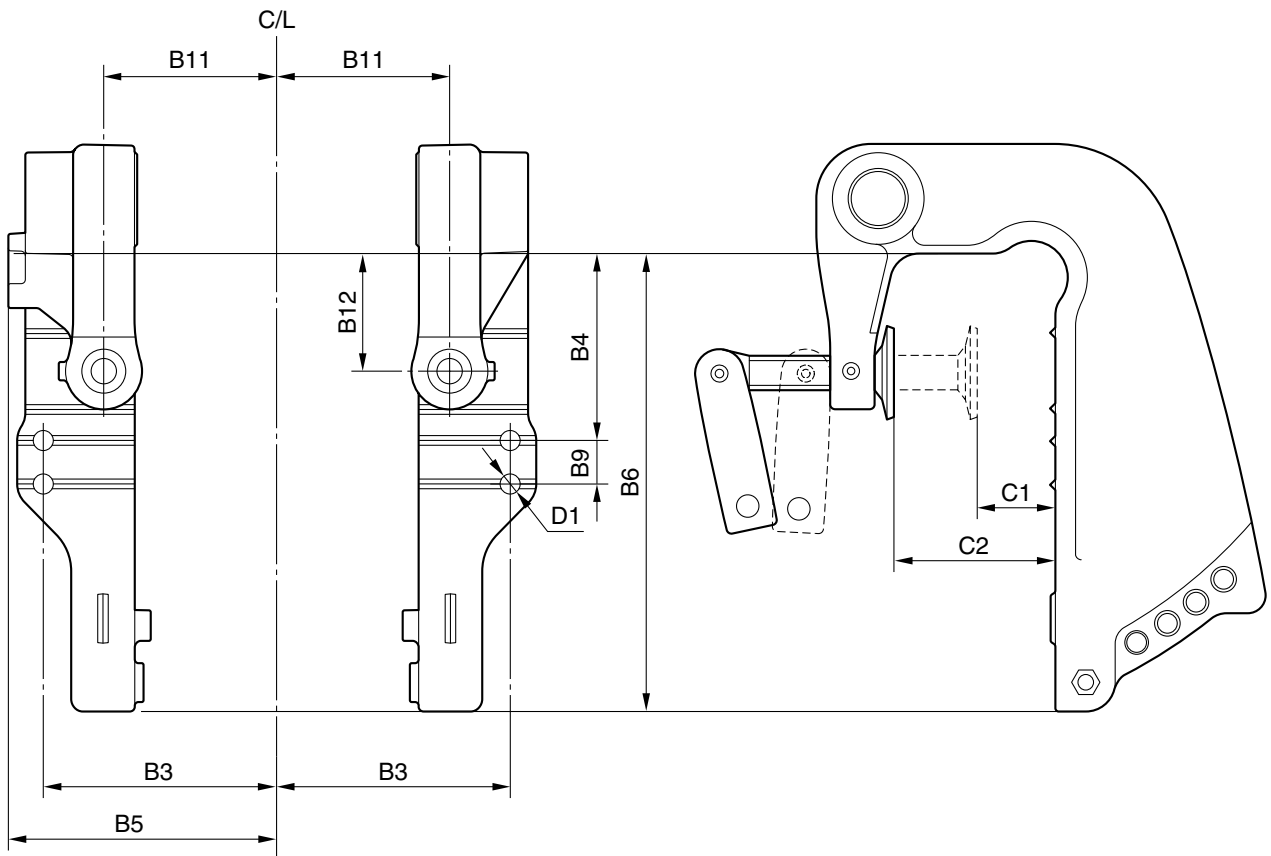


Symbol	mm (in.)	Symbol	mm (in.)	Symbol	mm (in.)	Symbol	mm (in.)
B1	92.6 (3.6)	B8	—	C1	30 (1.2)	D1	8.3 (0.32)
B2	79 (3.1)	B9	107 (4.2)	C2	60 (2.4)	D2	—
B3	—	B10	—	C3	—	D3	—
B4	—	B11	67.3 (2.6)			D4	—
B5	106.3 (4.2)	B12	50 (2.0)				
B6	157 (6.2)						
B7	—						

OUTBOARD MOTOR DIMENSIONS

CLAMP BRACKET DIMENSIONS

Global model	F8F	FT8G	F9.9H	F15C	F20B	F20C	F9.9J	FT9.9L
NOA model	F8B			F15A	F20A		F9.9B	T9.9B
Manual tilt								

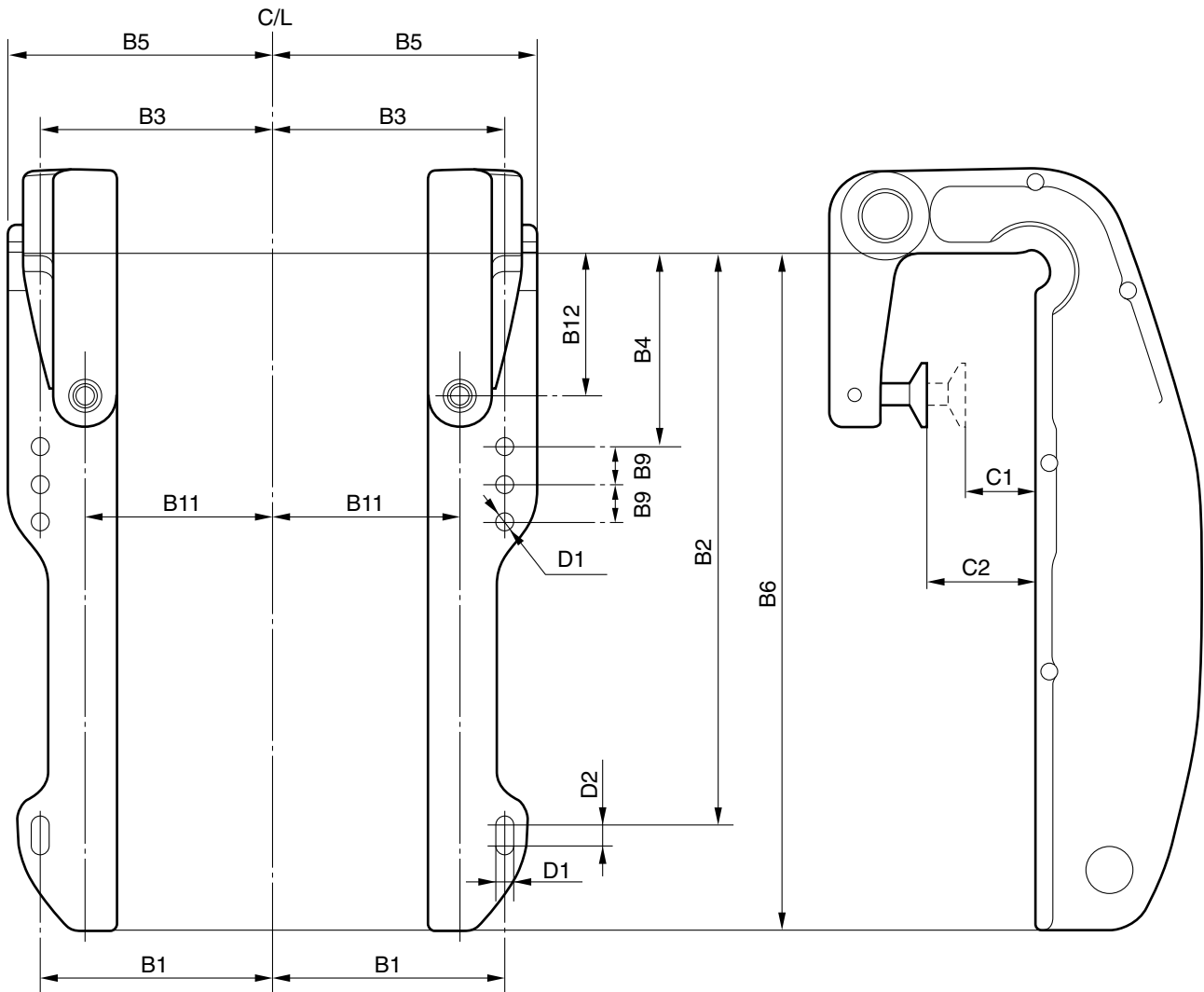


Symbol	mm (in.)	Symbol	mm (in.)	Symbol	mm (in.)	Symbol	mm (in.)
B1	—	B8	—	C1	32 (1.3)	D1	8.3 (0.33)
B2	—	B9	18 (0.71)	C2	67 (2.6)	D2	—
B3	95.3 (3.8)	B10	—	C3	—	D3	—
B4	76.5 (3.0)	B11	70.5 (2.8)			D4	—
B5	110 (4.3)	B12	48 (1.9)				
B6	187.5 (7.4)						
B7	—						

OUTBOARD MOTOR DIMENSIONS

CLAMP BRACKET DIMENSIONS

Global model	FT8G	F15C	F20B	FT9.9L				
NOA model		F15A	F20A	T9.9B				
Power tilt								

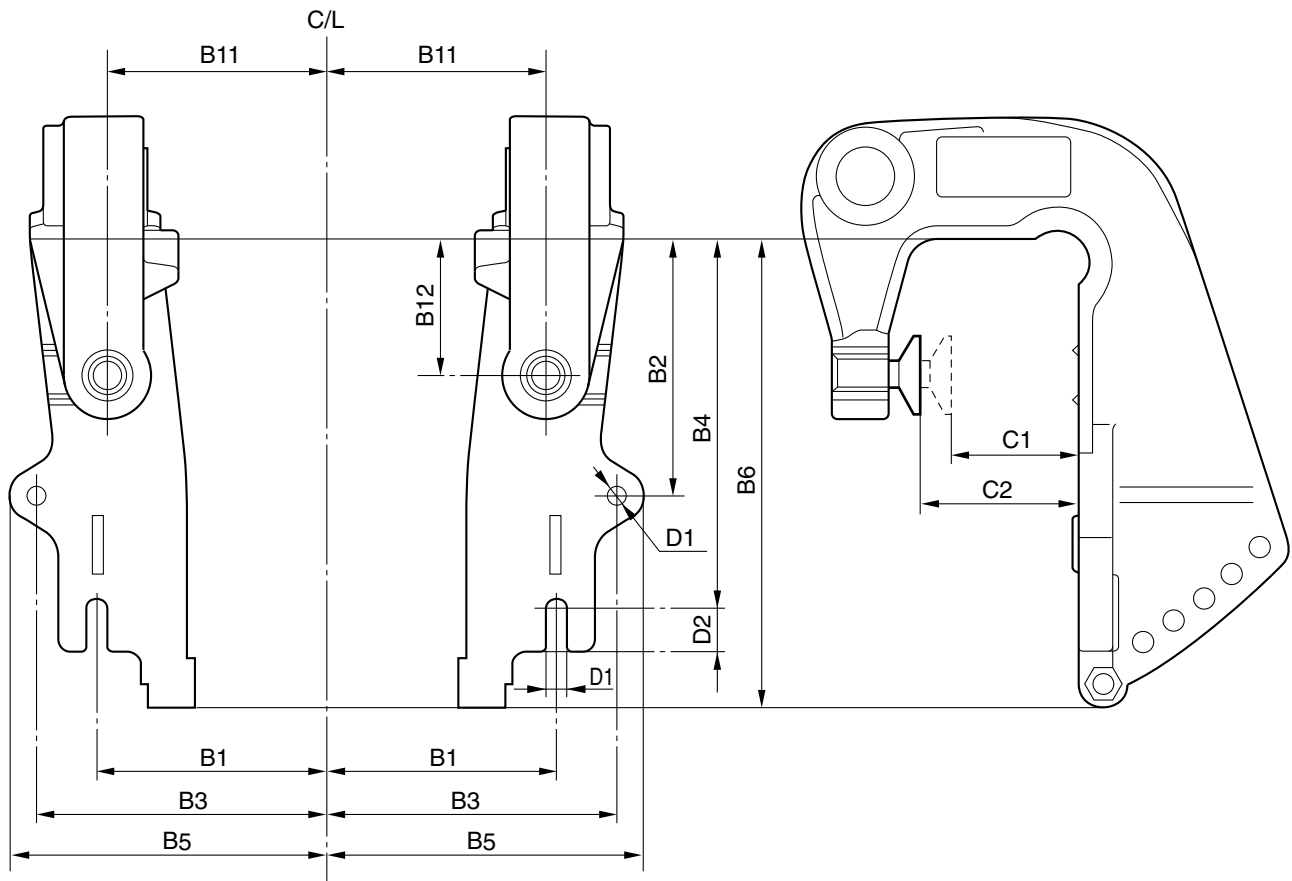


Symbol	mm (in.)	Symbol	mm (in.)	Symbol	mm (in.)	Symbol	mm (in.)
B1	95.3 (3.8)	B8	—	C1	38 (1.5)	D1	8.3 (0.3)
B2	275.5 (10.8)	B9	18 (0.7)	C2	67 (2.6)	D2	10 (0.4)
B3	95.3 (3.8)	B10	—	C3	—	D3	—
B4	94.5 (3.7)	B11	73.5 (2.9)			D4	—
B5	111 (4.4)	B12	69.5 (2.7)				
B6	325.5 (12.8)						
B7	—						

OUTBOARD MOTOR DIMENSIONS

CLAMP BRACKET DIMENSIONS

Global model	E/25B	25X	E/30H	EK25B	EK25C			
NOA model								
Manual tilt								

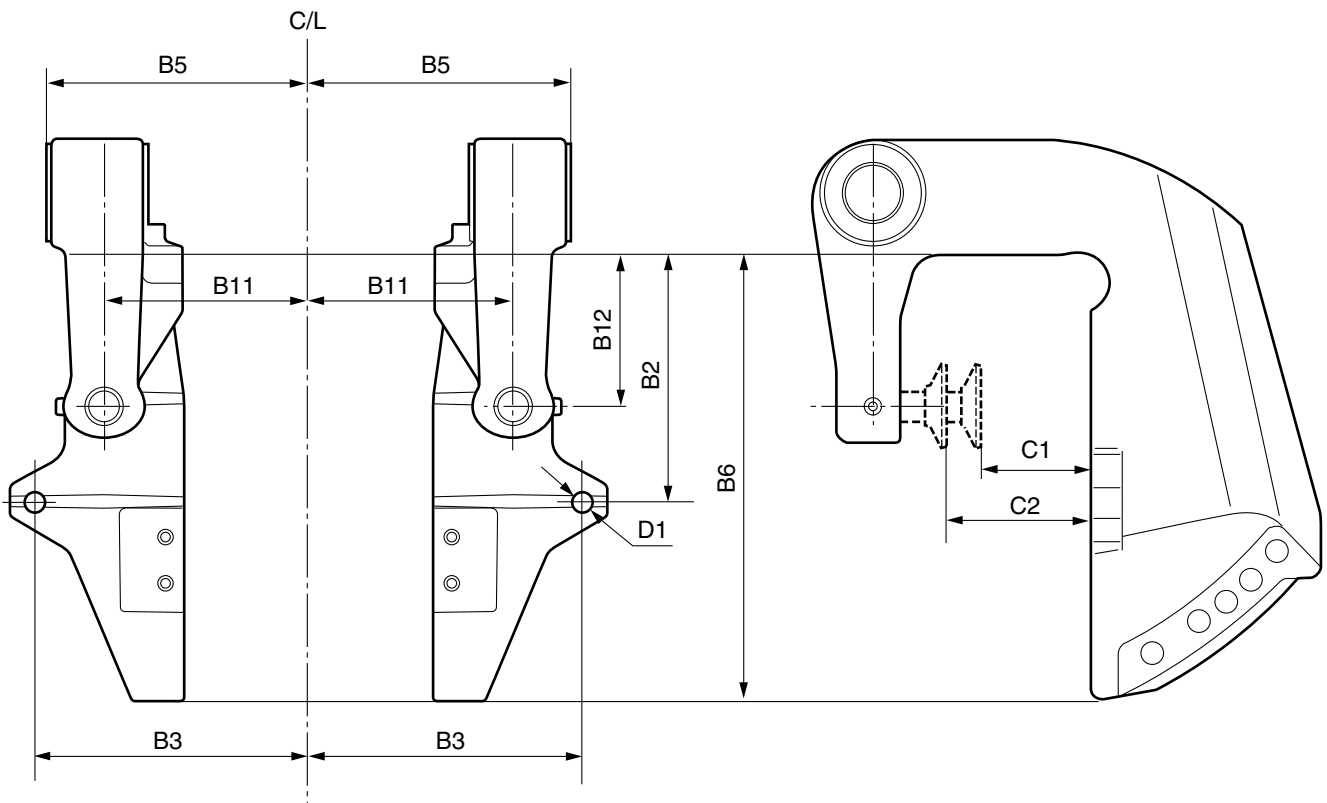


Symbol	mm (in.)	Symbol	mm (in.)	Symbol	mm (in.)	Symbol	mm (in.)
B1	89 (3.5)	B8	—	C1	35 (1.4)	D1	8.5 (0.33)
B2	140 (5.5)	B9	—	C2	65 (2.6)	D2	15 (0.59)
B3	112.5 (4.4)	B10	—	C3	—	D3	—
B4	96.5 (3.8)	B11	85 (3.3)			D4	—
B5	122.5 (4.8)	B12	51 (2.0)				
B6	176 (6.9)						
B7	—						

OUTBOARD MOTOR DIMENSIONS

CLAMP BRACKET DIMENSIONS

Global model	20D	25N						
NOA model								
Manual tilt								

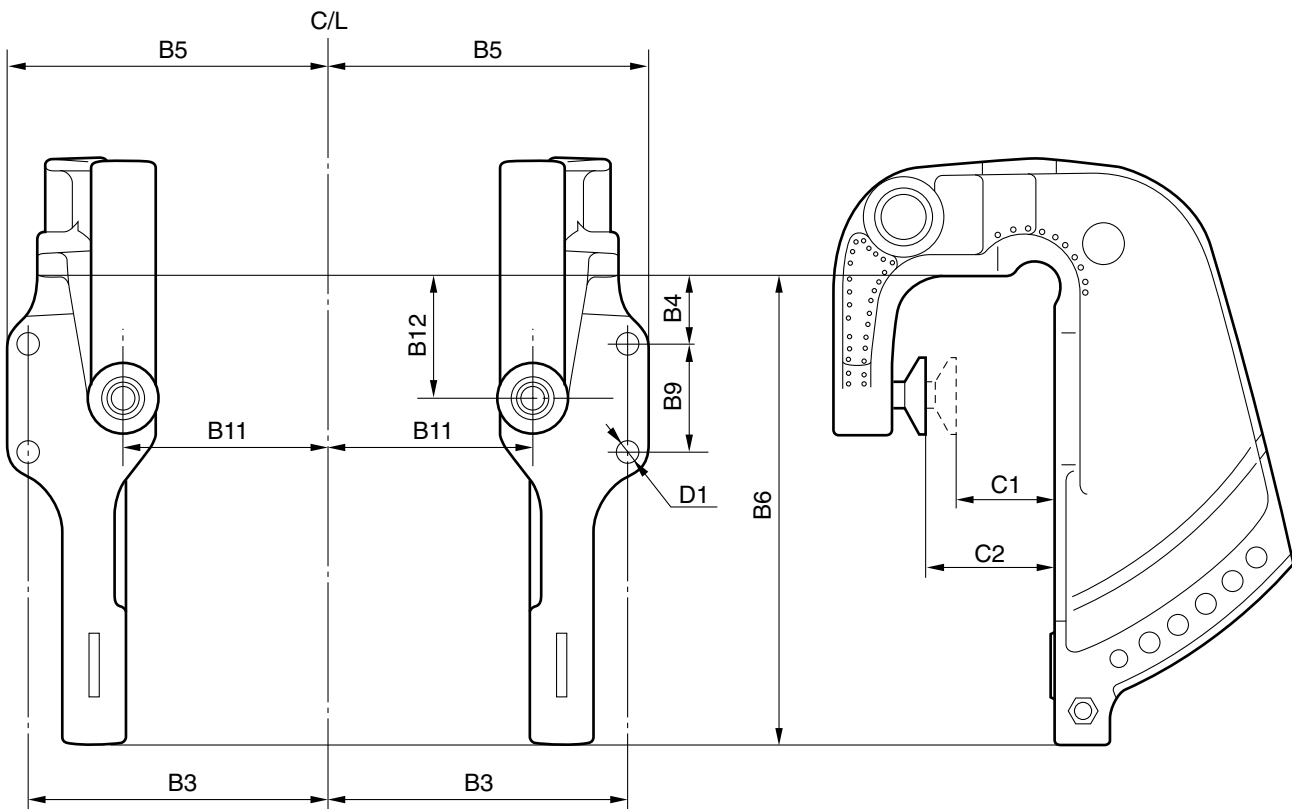


Symbol	mm (in.)	Symbol	mm (in.)	Symbol	mm (in.)	Symbol	mm (in.)
B1	—	B8	—	C1	25 (1.0)	D1	8.3 (0.32)
B2	97.5 (3.8)	B9	—	C2	65 (2.6)	D2	—
B3	114.5 (4.5)	B10	—	C3	—	D3	—
B4	—	B11	87.5 (3.4)			D4	—
B5	122.5 (4.8)	B12	84 (3.3)				
B6	175 (6.9)						
B7	—						

OUTBOARD MOTOR DIMENSIONS

CLAMP BRACKET DIMENSIONS

Global model	E/40X	F25D					
NOA model		F25A					
Manual tilt							

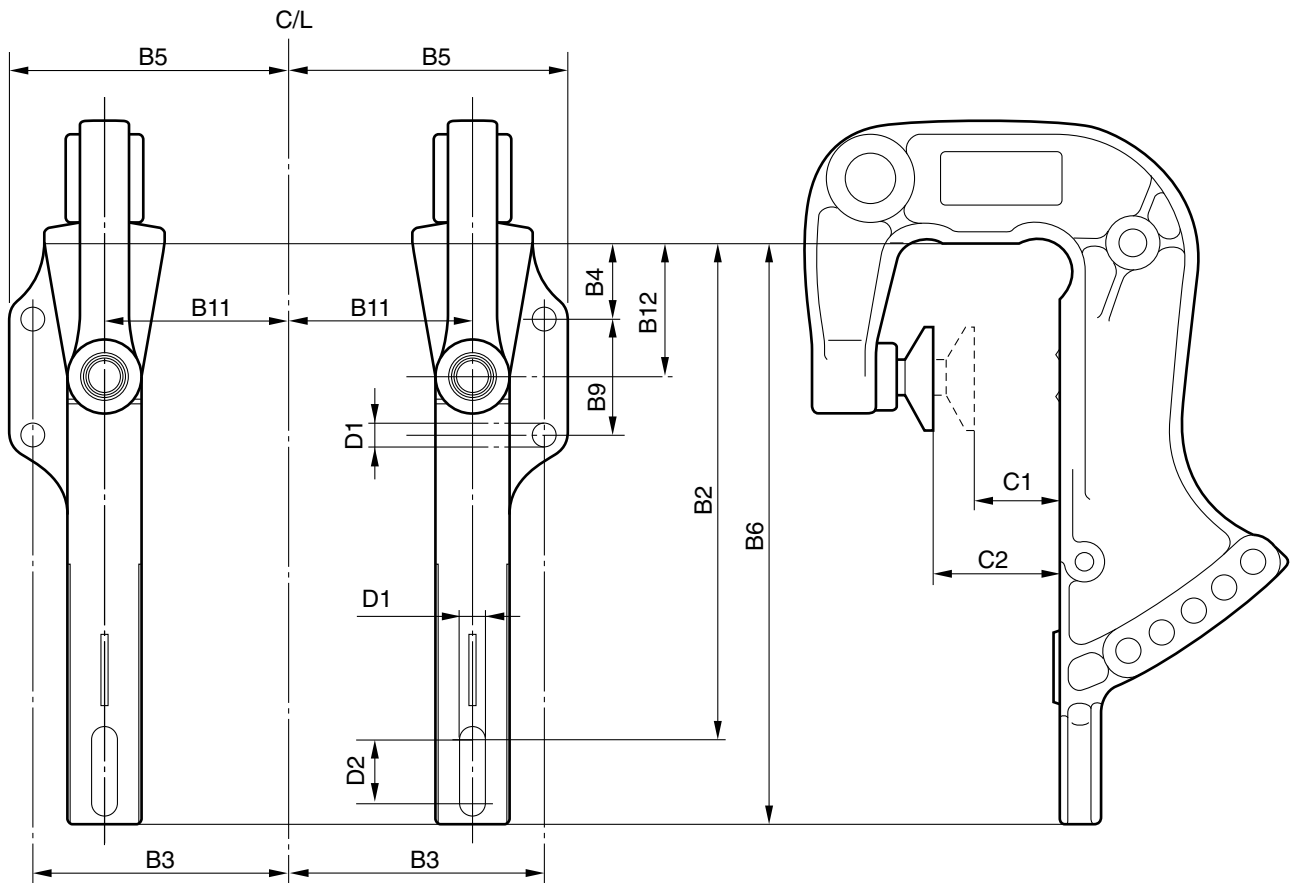


Symbol	mm (in.)	Symbol	mm (in.)	Symbol	mm (in.)	Symbol	mm (in.)
B1	—	B8	—	C1	37 (1.5)	D1	10.5 (0.41)
B2	—	B9	50 (2.0)	C2	68 (2.7)	D2	—
B3	140 (5.5)	B10	—	C3	—	D3	—
B4	32 (1.3)	B11	95.5 (3.8)			D4	—
B5	150 (5.9)	B12	57 (2.2)				
B6	218 (8.6)						
B7	—						

OUTBOARD MOTOR DIMENSIONS

CLAMP BRACKET DIMENSIONS

Global model	E40G	E40J	EK40G	EK40J				
NOA model								
Manual tilt								

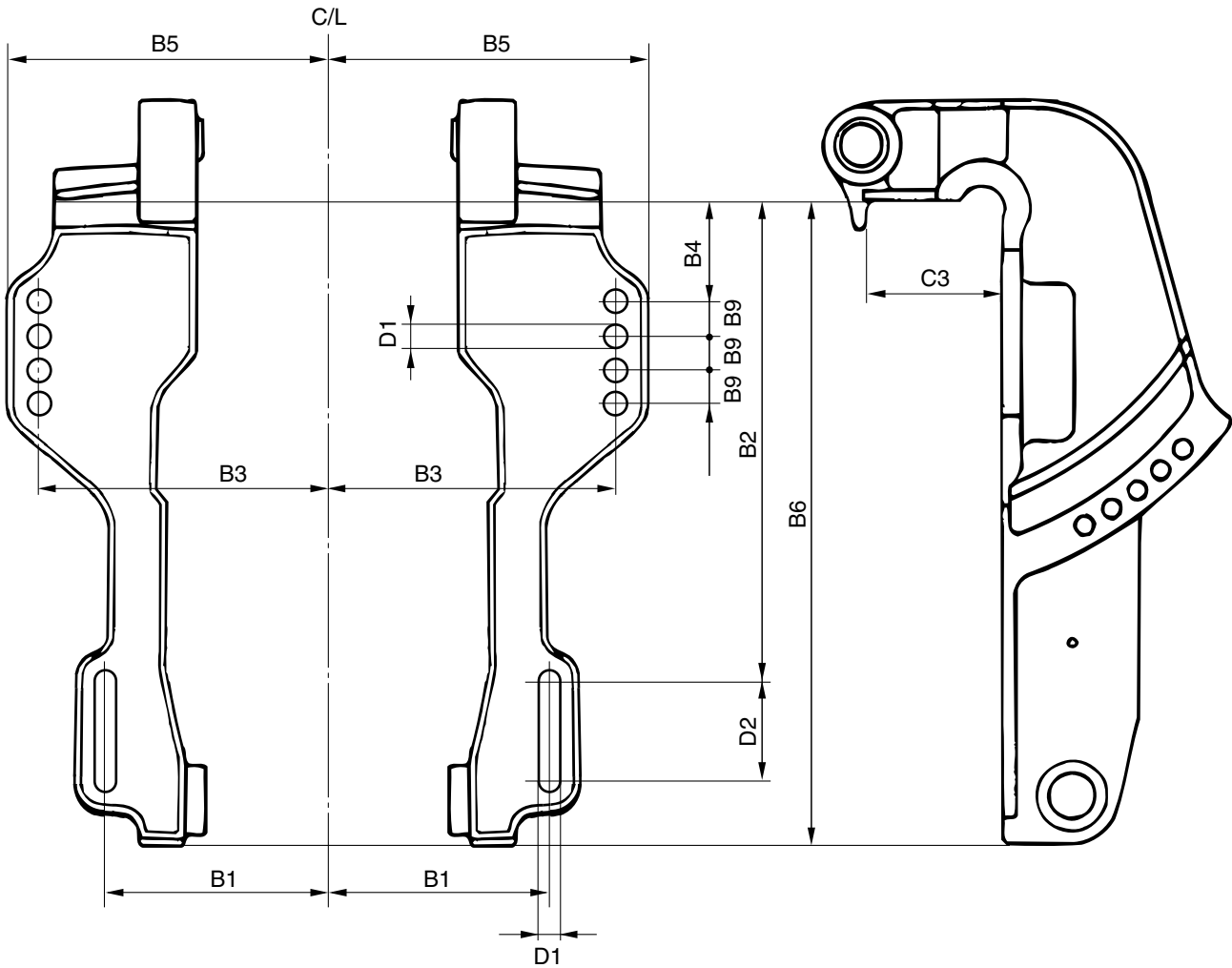


Symbol	mm (in.)	Symbol	mm (in.)	Symbol	mm (in.)	Symbol	mm (in.)
B1	—	B8	—	C1	33 (1.3)	D1	10.5 (0.41)
B2	212 (8.3)	B9	50 (2.0)	C2	60 (2.3)	D2	27 (1.1)
B3	124.5 (4.9)	B10	—	C3	—	D3	—
B4	32 (1.3)	B11	93.5 (3.7)			D4	—
B5	134.5 (5.3)	B12	57 (2.2)				
B6	249 (9.8)						
B7	—						

OUTBOARD MOTOR DIMENSIONS

CLAMP BRACKET DIMENSIONS

Global model	30D	E/40X	F25D	FT25F	F20D			
NOA model			F25A/B	T25A				
Global model	F30B	F40F						
NOA/ANZ model	F30A	F40A						
PTT & Hydro-tilt								

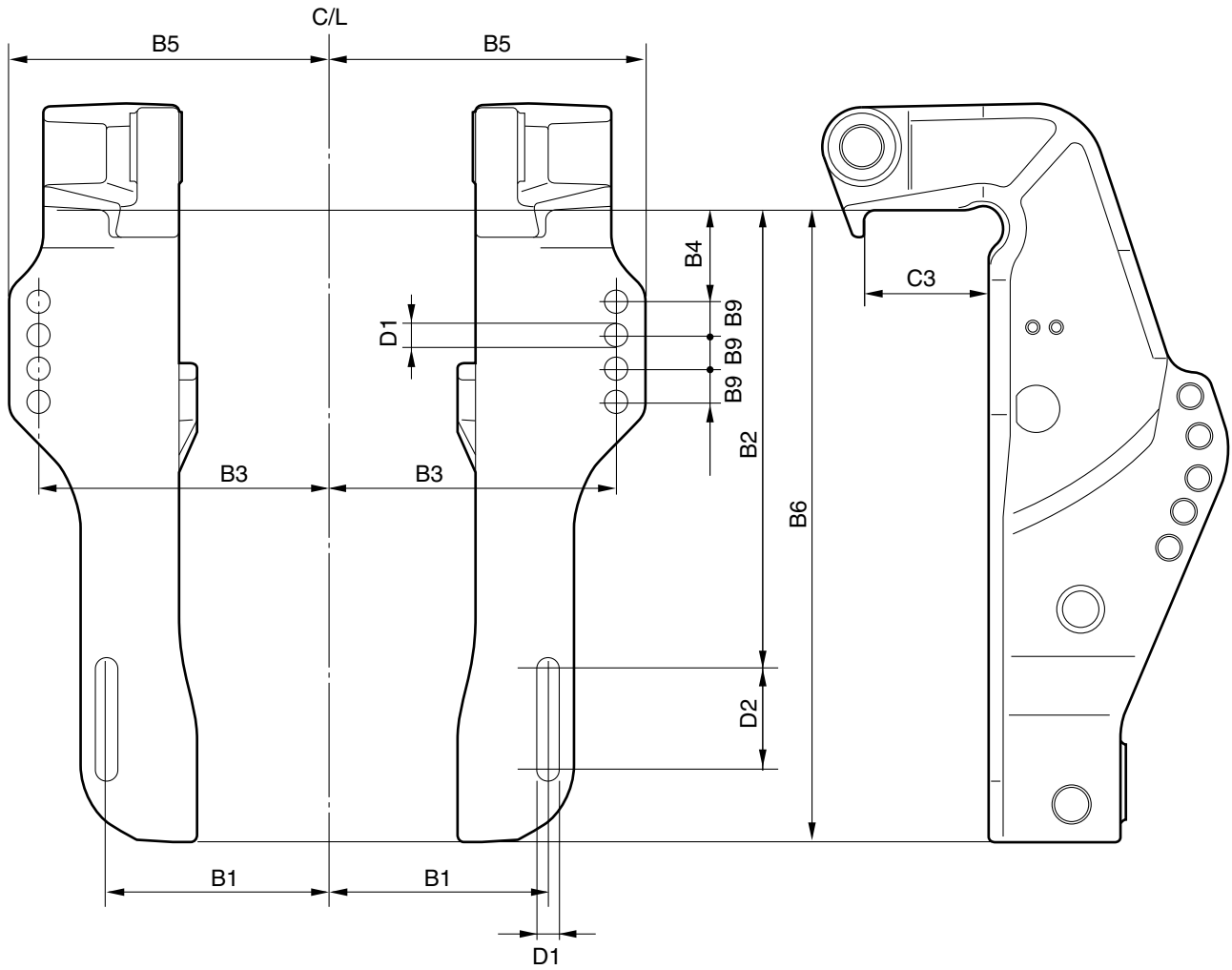


Symbol	mm (in.)	Symbol	mm (in.)	Symbol	mm (in.)	Symbol	mm (in.)
B1	126 (5.0)	B8	—	C1	—	D1	13 (0.5)
B2	254 (10.0)	B9	18.5 (0.7)	C2	—	D2	55.5 (2.2)
B3	163.5 (6.4)	B10	—	C3	69 (2.7)	D3	—
B4	50.8 (2.0)	B11	—			D4	—
B5	180 (7.1)	B12	—				
B6	338 (13.3)						
B7	—						

OUTBOARD MOTOR DIMENSIONS

CLAMP BRACKET DIMENSIONS

Global model	F40H	F40G	F50H	FT50J	F60F	FT60G	F70A	
NOA/ANZ model			F50B	T50B	F60B	T60B	F70A	
PTT & Hydro-tilt								

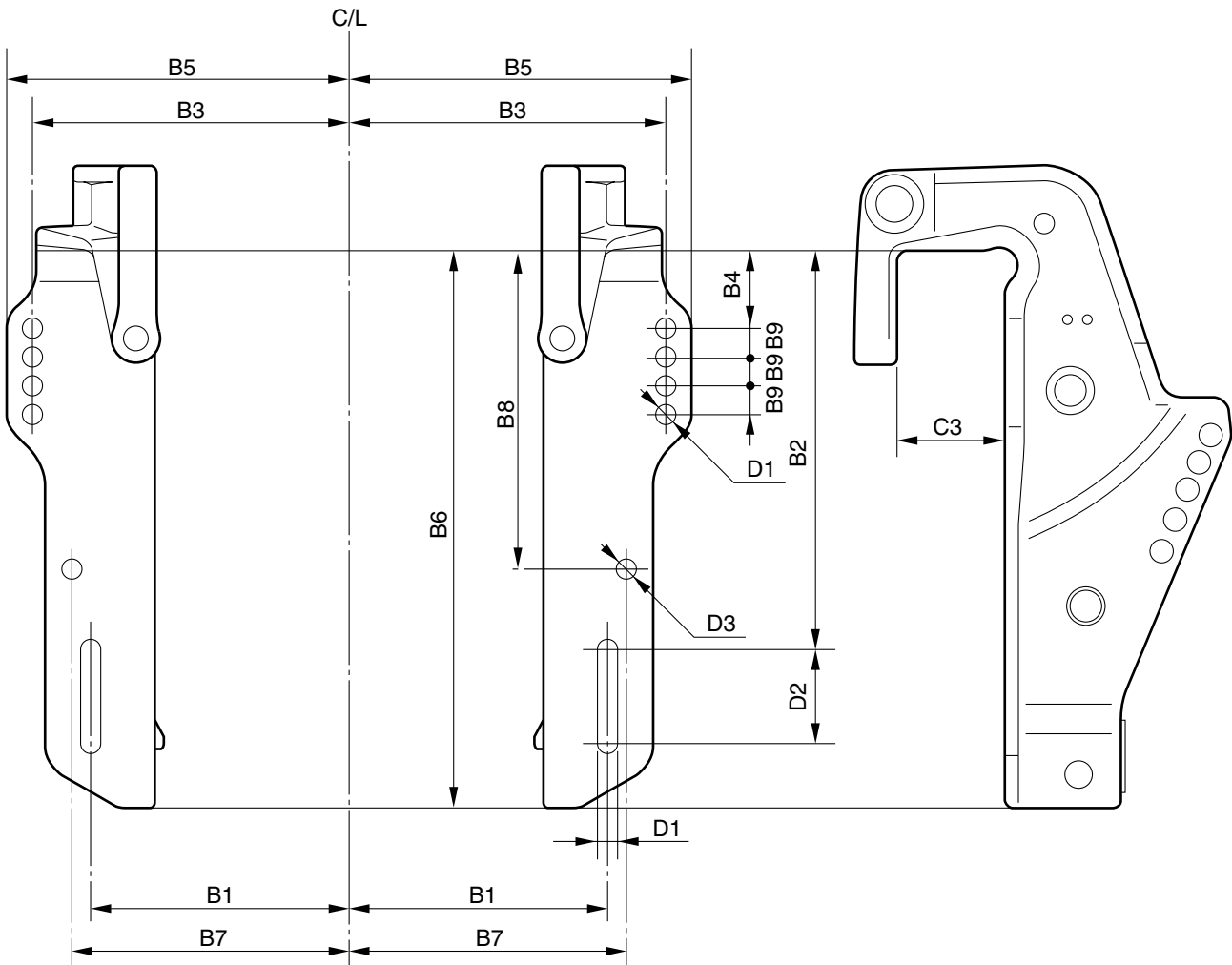


Symbol	mm (in.)	Symbol	mm (in.)	Symbol	mm (in.)	Symbol	mm (in.)
B1	126 (5.0)	B8	—	C1	—	D1	13 (0.5)
B2	254 (10.0)	B9	18.5 (0.7)	C2	—	D2	55.5 (2.2)
B3	163.5 (6.4)	B10	—	C3	69 (2.7)	D3	—
B4	50.8 (2.0)	B11	—			D4	—
B5	180 (7.1)	B12	—				
B6	350 (13.8)						
B7	—						

OUTBOARD MOTOR DIMENSIONS

CLAMP BRACKET DIMENSIONS

Global model	40V	50H	E60H	F50D	FT50C			
NOA model								
PTT & Hydro-tilt								

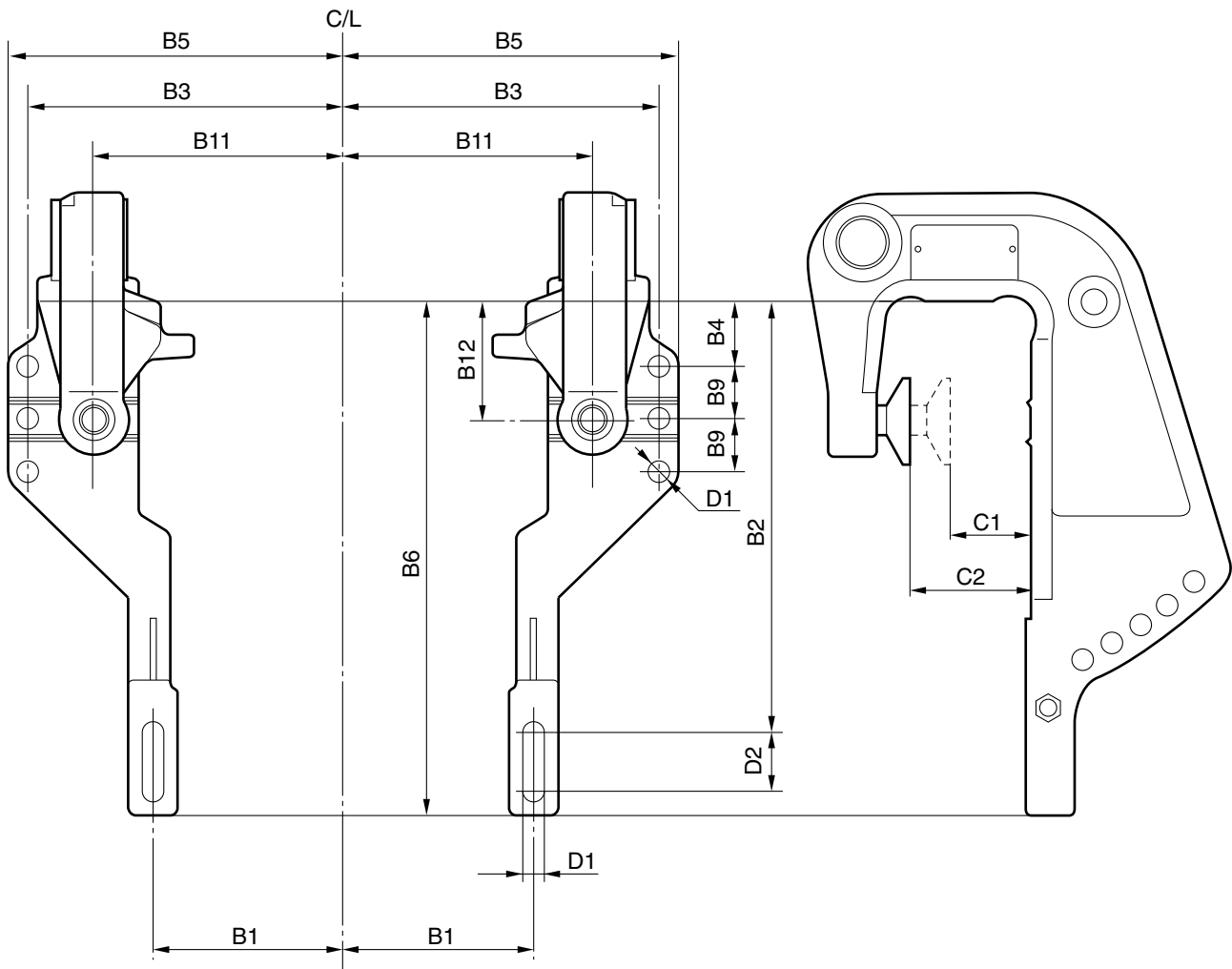


Symbol	mm (in.)	Symbol	mm (in.)	Symbol	mm (in.)	Symbol	mm (in.)
B1	126 (5.0)	B8	203 (8.0)	C1	—	D1	13 (0.51)
B2	254 (10.0)	B9	18.5 (0.73)	C2	—	D2	60.5 (2.4)
B3	163.5 (6.4)	B10	—	C3	69 (2.7)	D3	13 (0.51)
B4	50.8 (2.0)	B11	—			D4	—
B5	180 (7.1)	B12	—				
B6	355 (14.0)						
B7	138 (5.4)						

OUTBOARD MOTOR DIMENSIONS

CLAMP BRACKET DIMENSIONS

Global model	30D	40V	50H				
NOA model							
Manual tilt							

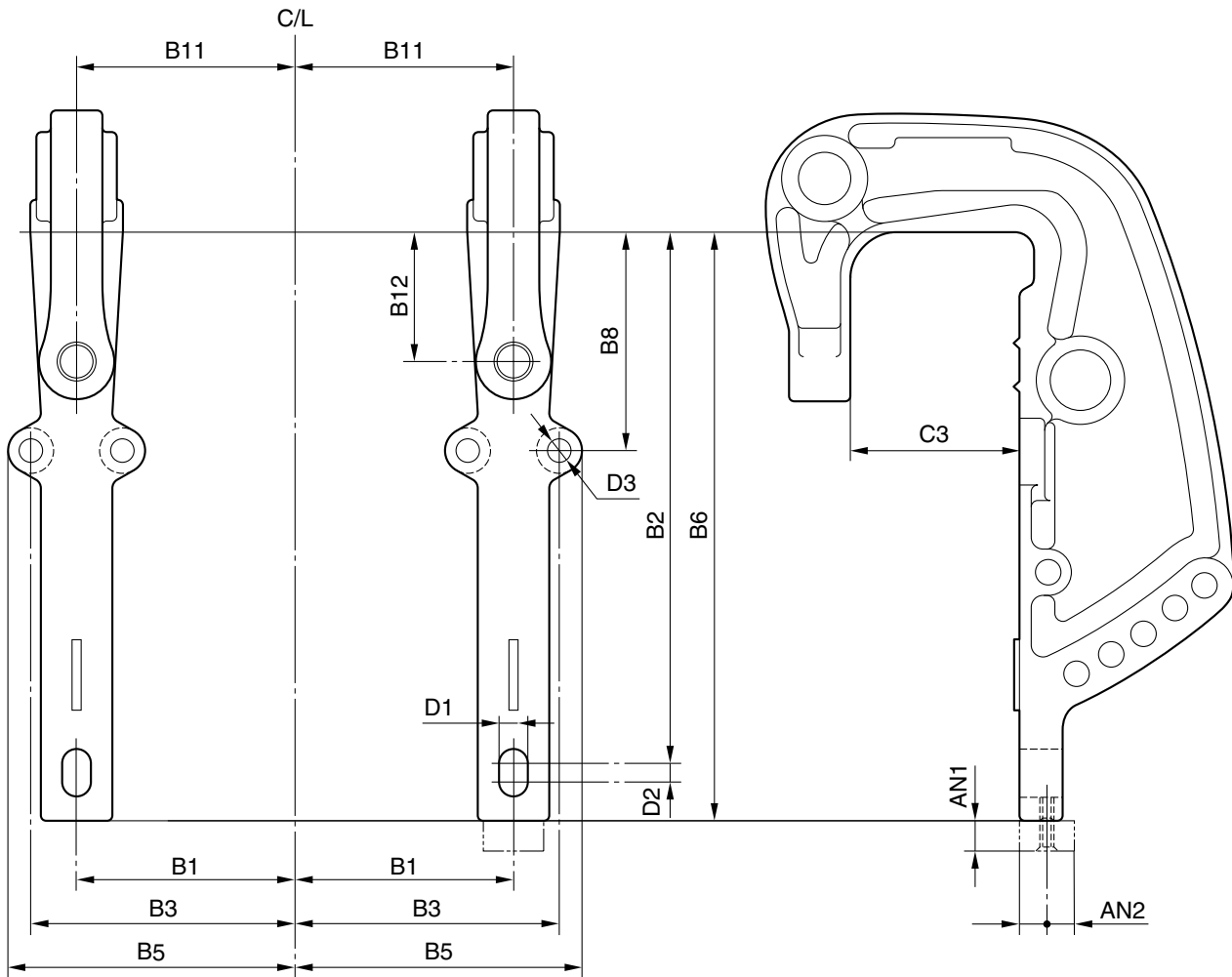


Symbol	mm (in.)	Symbol	mm (in.)	Symbol	mm (in.)	Symbol	mm (in.)
B1	62.5 (2.5)	B8	—	C1	30 (1.2)	D1	10.5 (0.41)
B2	208 (8.2)	B9	25 (0.98)	C2	66 (2.6)	D2	26 (1.0)
B3	121.5 (4.8)	B10	—	C3	—	D3	—
B4	32 (1.3)	B11	90.5 (3.6)			D4	—
B5	131.5 (5.2)	B12	57 (2.2)				
B6	245 (9.6)						
B7	—						

OUTBOARD MOTOR DIMENSIONS

CLAMP BRACKET DIMENSIONS

Global model	E48C	E55C						
NOA model								
Manual tilt								

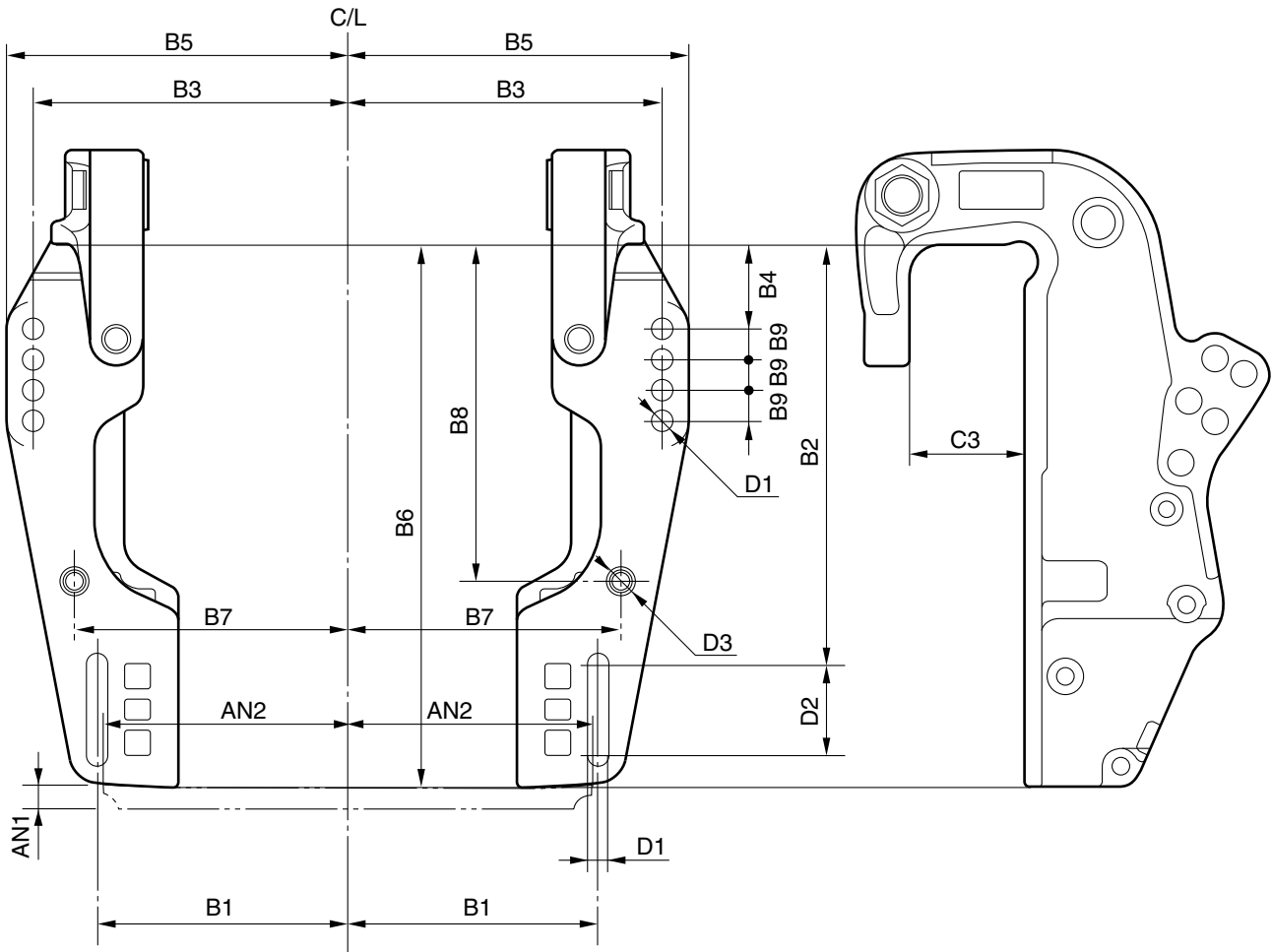


Symbol	mm (in.)	Symbol	mm (in.)	Symbol	mm (in.)	Symbol	mm (in.)
B1	96 (3.8)	B8	95 (3.7)	C1	—	AN1	14 (0.55)
B2	230 (9.1)	B9	—	C2	—	AN2	12 (0.47)
B3	119 (4.7)	B10	—	C3	73 (2.9)		
B4	—	B11	96 (3.8)	D1	12 (0.47)		
B5	129 (5.1)	B12	57 (2.2)	D2	8 (0.31)		
B6	254 (10.0)			D3	10.5 (0.41)		
B7	—			D4	—		

OUTBOARD MOTOR DIMENSIONS

CLAMP BRACKET DIMENSIONS

Global model	55B	60F	E60H					
NOA model								
PTT & Hydro-tilt for S-transom								

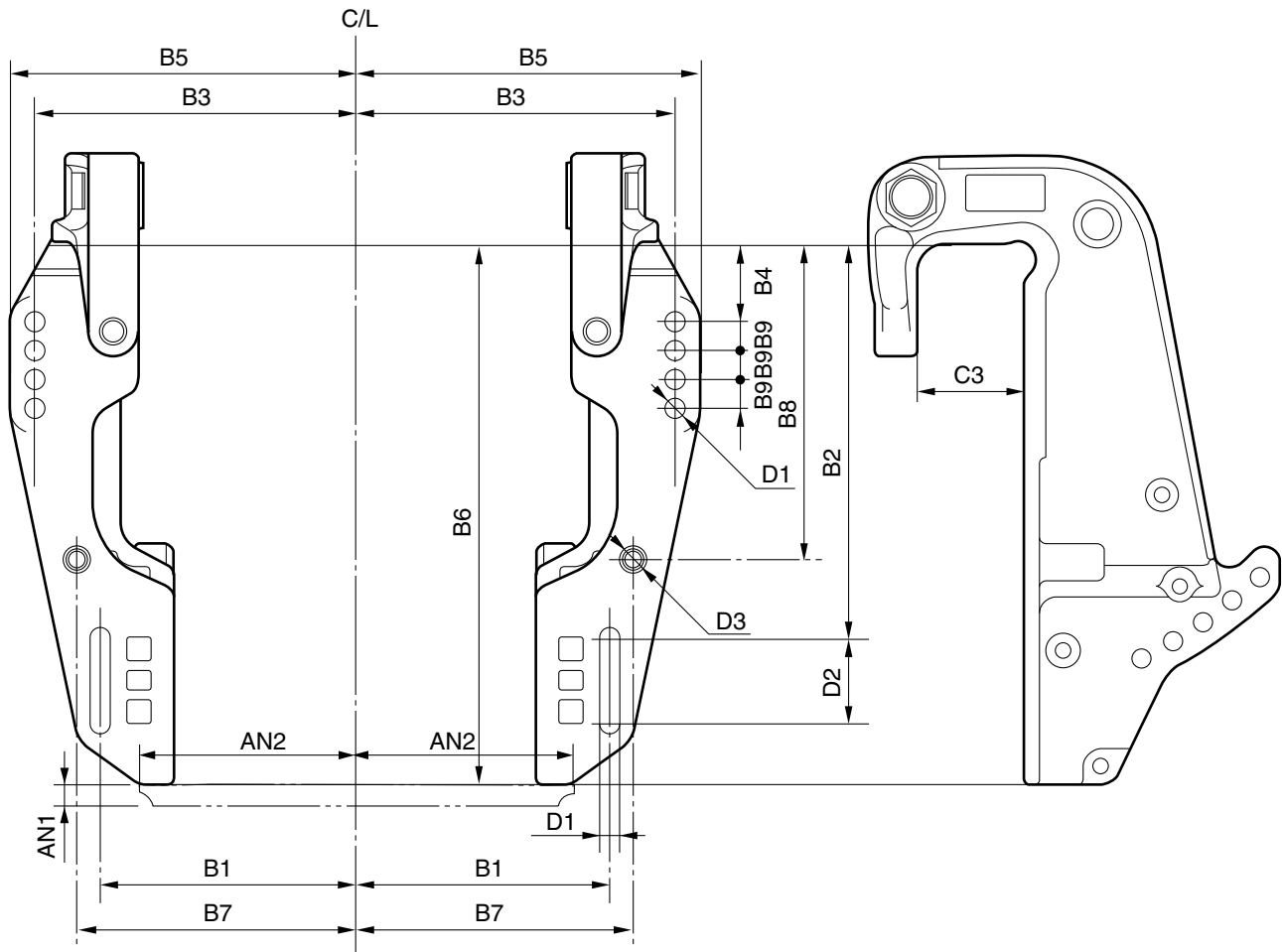


Symbol	mm (in.)	Symbol	mm (in.)	Symbol	mm (in.)	Symbol	mm (in.)
B1	125.4 (4.9)	B8	203.2 (8.0)	C1	—	D1	13 (0.51)
B2	254 (10.0)	B9	18.5 (0.73)	C2	—	D2	55.5 (2.2)
B3	163.5 (6.4)	B10	—	C3	68.5 (2.7)	D3	—
B4	50.8 (2.0)	B11	—			D4	—
B5	180 (7.1)	B12	—			AN1	17.5 (0.69)
B6	329 (13.0)					AN2	102 (4.0)
B7	138.1 (5.4)						

OUTBOARD MOTOR DIMENSIONS

CLAMP BRACKET DIMENSIONS

Global model	55B	55D	60F	70B	75A	75C	85A	90A
NOA model								
Global model	E60H	E75B						
NOA model								
PTT & Hydro-tilt for L/X-transom								

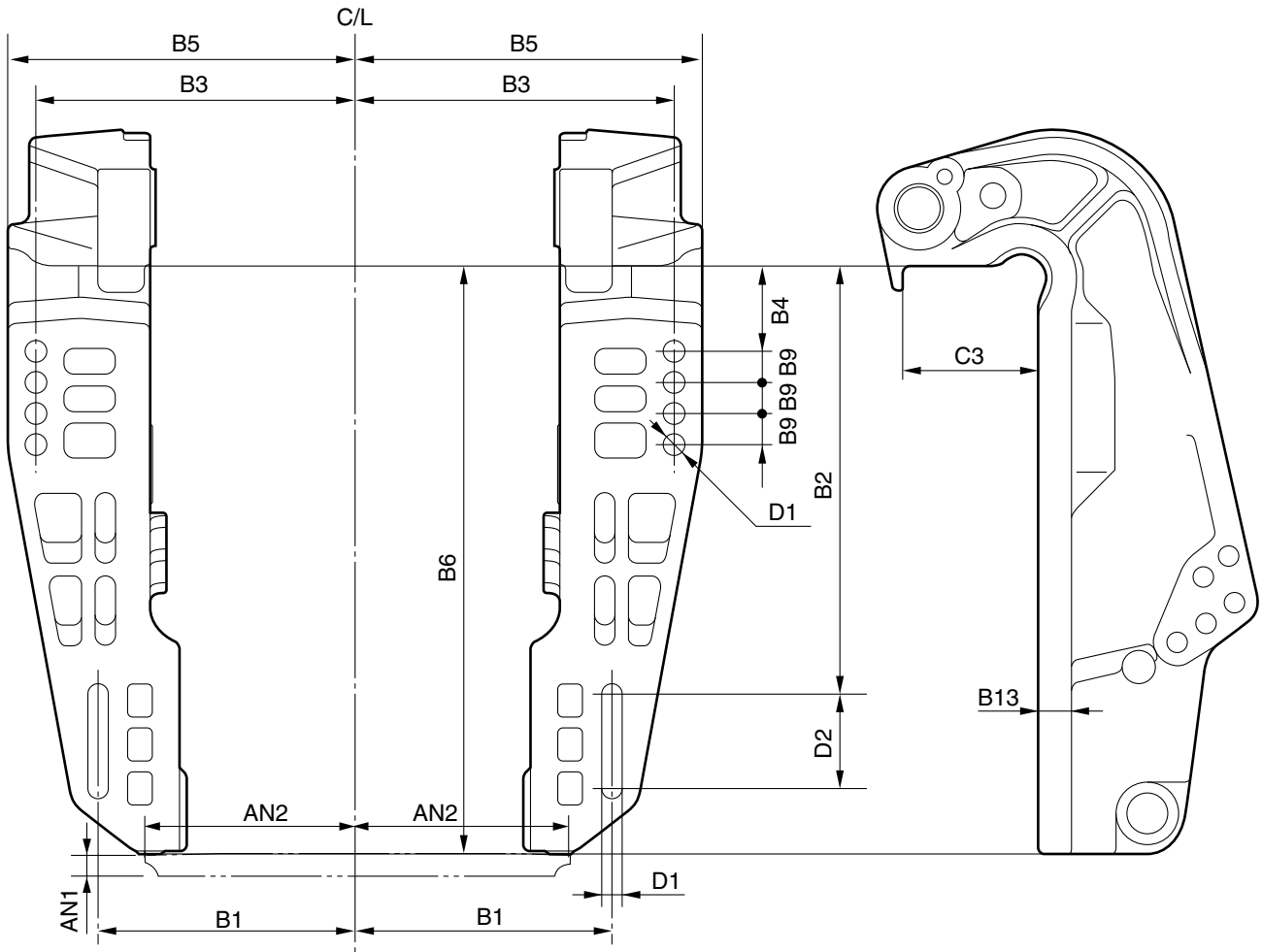


Symbol	mm (in.)	Symbol	mm (in.)	Symbol	mm (in.)	Symbol	mm (in.)
B1	125.4 (4.9)	B8	203.2 (8.0)	C1	—	D1	13 (0.51)
B2	254 (10.0)	B9	18.5 (0.73)	C2	—	D2	55.5 (2.2)
B3	163.5 (6.4)	B10	—	C3	68.5 (2.7)	D3	—
B4	50.8 (2.0)	B11	—			D4	—
B5	180 (7.1)	B12	—			AN1	17.5 (0.69)
B6	352 (13.9)					AN2	102 (4.0)
B7	138.1 (5.4)						

OUTBOARD MOTOR DIMENSIONS

CLAMP BRACKET DIMENSIONS

Global model	F75B	F80B	F90B	F100D				
NOA/ANZ model	F75A		F90A					
PTT								

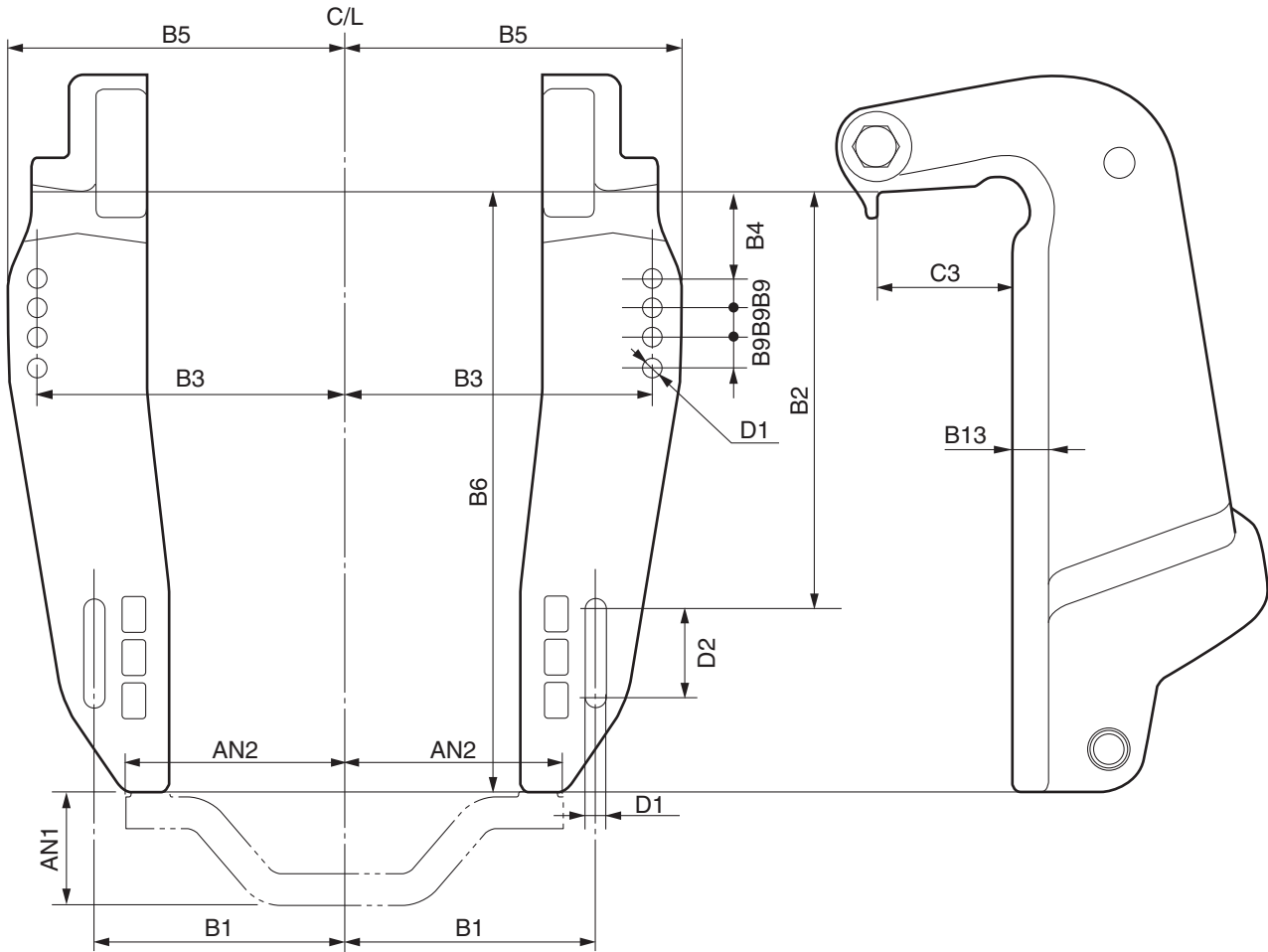


Symbol	mm (in.)	Symbol	mm (in.)	Symbol	mm (in.)	Symbol	mm (in.)
B1	125.4 (4.9)	B8	—	C1	—	AN1	17.5 (0.69)
B2	254 (10.0)	B9	18.5 (0.73)	C2	—	AN2	102 (4.0)
B3	163.5 (6.4)	B10	—	C3	80 (3.1)		
B4	50.8 (2.0)	B11	—	D1	13 (0.51)		
B5	180 (7.1)	B12	—	D2	55.5 (2.2)		
B6	368 (14.5)	B13	20 (0.79)	D3	—		
B7	—			D4	—		

OUTBOARD MOTOR DIMENSIONS

CLAMP BRACKET DIMENSIONS

Global model	E115A	L/150A	L/200A				
NOA model							
Global model	F75C	F95A	F100B	F/FL115A	F/FL150D	F/FL150F	F225C
NOA/ANZ model					F/LF150B		
PTT & Hydro tilt							

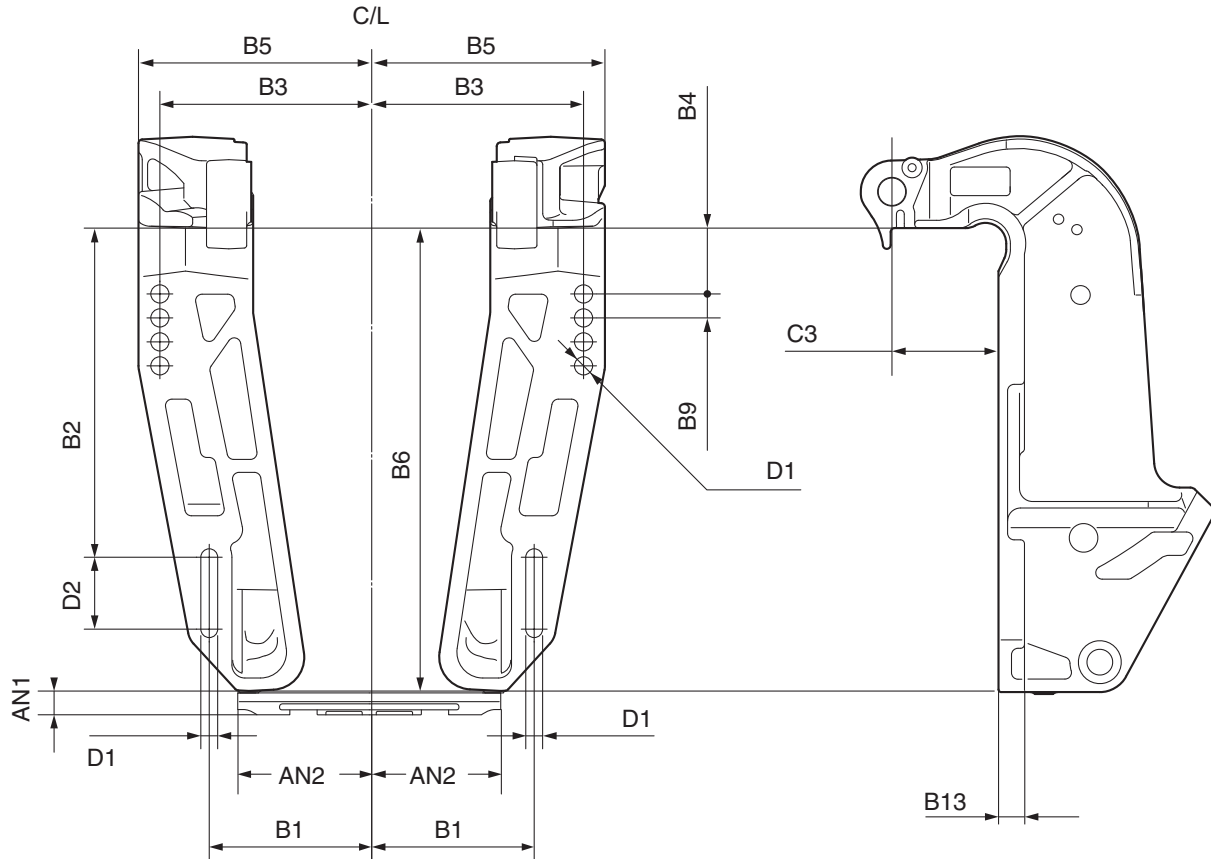


Symbol	mm (in.)	Symbol	mm (in.)	Symbol	mm (in.)	Symbol	mm (in.)
B1	125.4 (4.9)	B8	—	C1	—	AN1	52 (2.0)
B2	254 (10.0)	B9	18.5 (0.73)	C2	—	AN2	102 (4.0)
B3	163.5 (6.4)	B10	—	C3	82 (3.2)		
B4	50.8 (2.0)	B11	—	D1	13 (0.51)		
B5	180 (7.1)	B12	—	D2	55.5 (2.2)		
B6	367 (14.4)	B13	24 (0.94)	D3	—		
B7	—			D4	—		

OUTBOARD MOTOR DIMENSIONS

CLAMP BRACKET DIMENSIONS

Global model	F/FL115B	F115C	F130A				
NOA/ANZ model	F/LF115B	VF115A					
PTT							

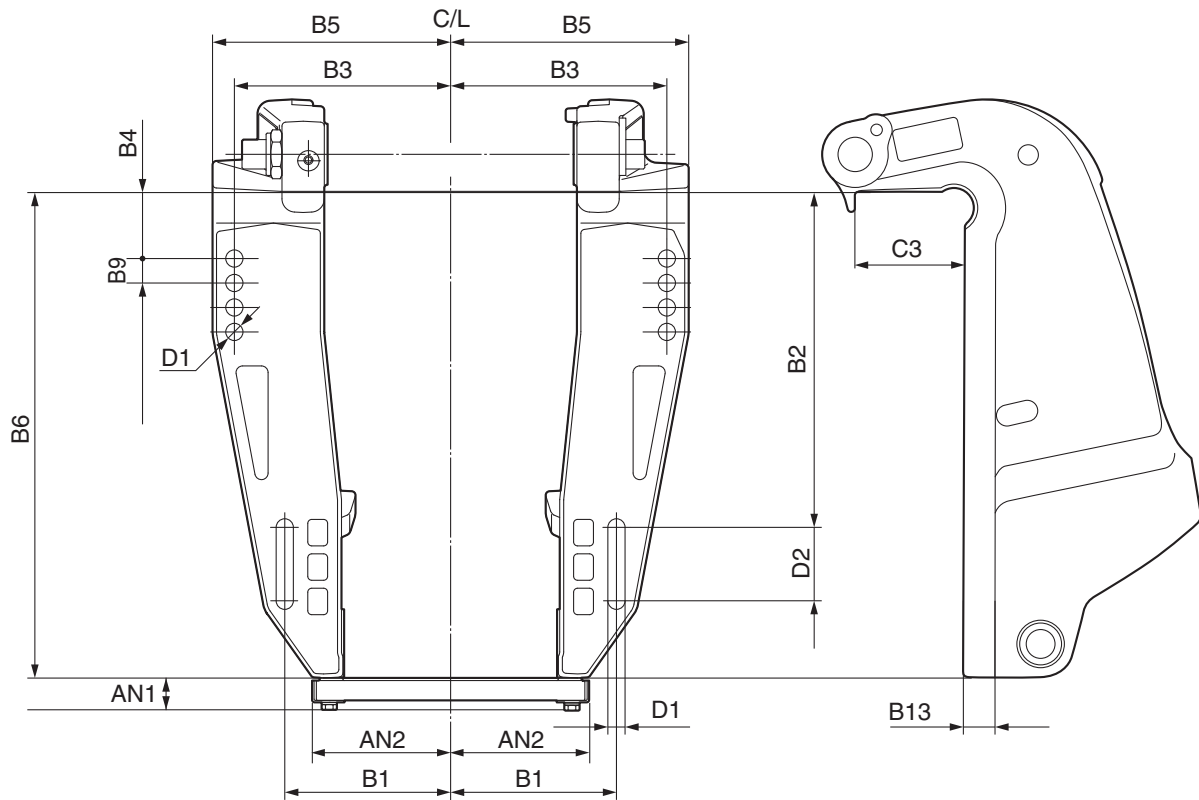


Symbol	mm (in.)	Symbol	mm (in.)	Symbol	mm (in.)	Symbol	mm (in.)
B1	125.4 (4.9)	B8	—	C1	—	AN1	17.5 (0.69)
B2	254 (10.0)	B9	18.5 (0.73)	C2	—	AN2	102 (4.0)
B3	163.5 (6.4)	B10	—	C3	82 (3.2)		
B4	50.8 (2.0)	B11	—	D1	13 (0.51)		
B5	180 (7.1)	B12	—	D2	55.5 (2.2)		
B6	357.2 (14.1)	B13	20 (0.79)	D3	—		
B7	—			D4	—		

OUTBOARD MOTOR DIMENSIONS

CLAMP BRACKET DIMENSIONS

Global model	F150C-X	F175A	F/FL200F	F/FL200G				
NOA/ANZ model	VF150XA	F175A	F/LF200B	F/LF200CA				
PTT								

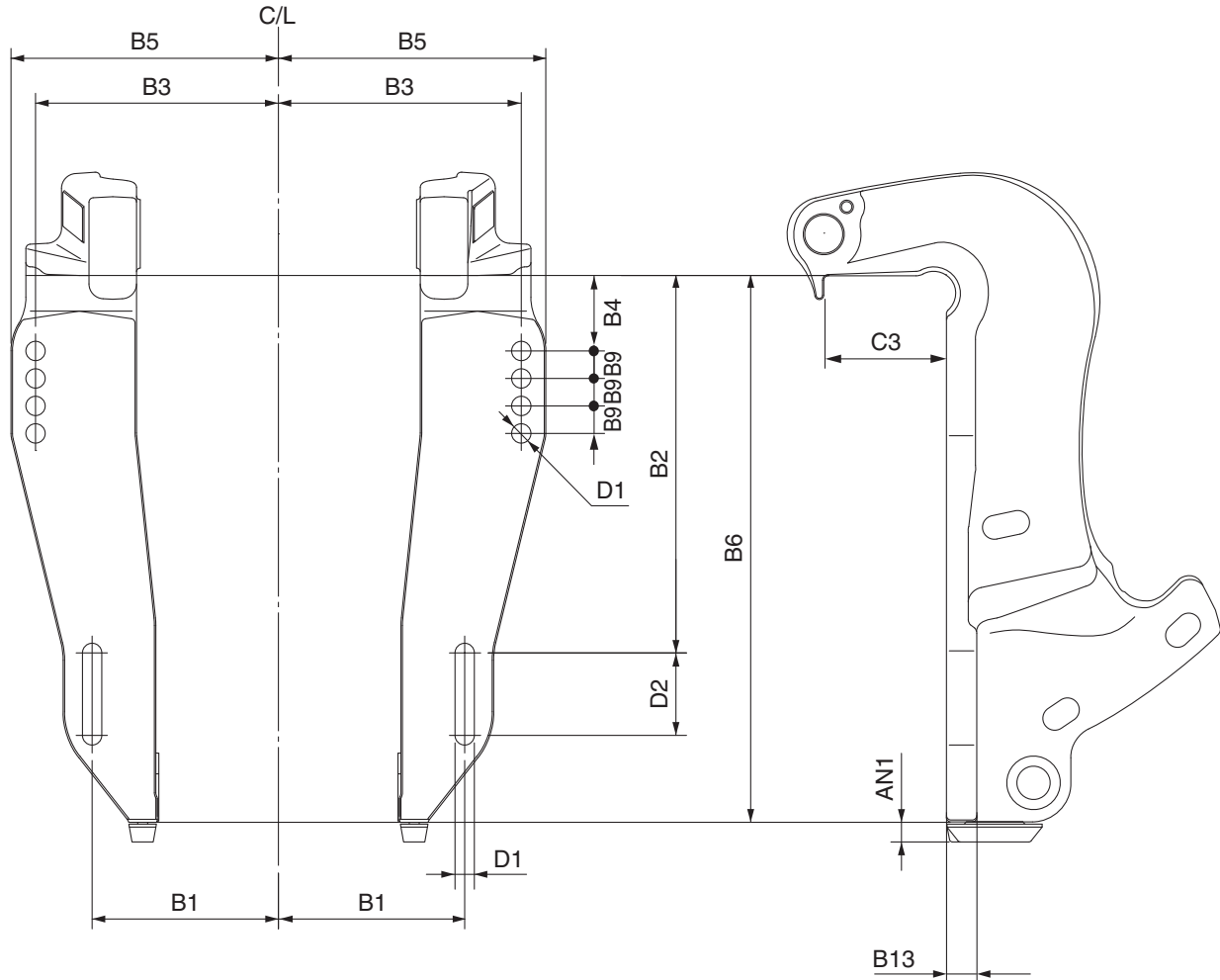


Symbol	mm (in.)	Symbol	mm (in.)	Symbol	mm (in.)	Symbol	mm (in.)
B1	125.4 (4.9)	B8	—	C1	—	AN1	25 (1.0)
B2	254 (10.0)	B9	18.5 (0.73)	C2	—	AN2	102 (4.0)
B3	163.5 (6.4)	B10	—	C3	82 (3.2)		
B4	50.8 (2.0)	B11	—	D1	13 (0.51)		
B5	180 (7.1)	B12	—	D2	55.5 (2.2)		
B6	367 (14.4)	B13	24 (0.94)	D3	—		
B7	—			D4	—		

OUTBOARD MOTOR DIMENSIONS

CLAMP BRACKET DIMENSIONS

Global model	F150C-L	F165A	F175B	F185A	F200D	F225D	F250C	F225G
NOA/ANZ model	VF150LA		VF175LA		VF200LA	VF225LA	VF250LA	
Global model	F250F	F275A						
NOA/ANZ model								
PTT								

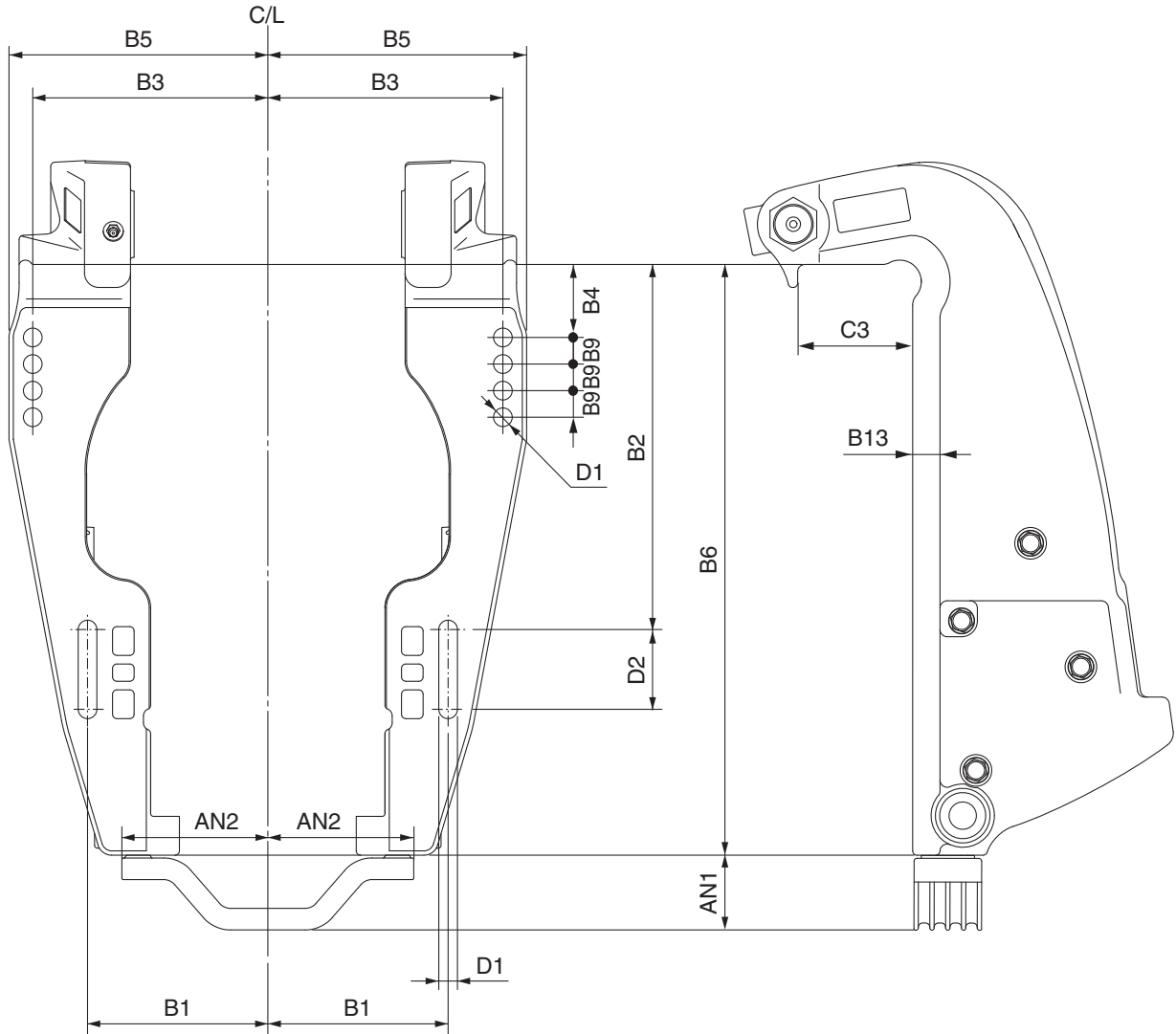


Symbol	mm (in.)	Symbol	mm (in.)	Symbol	mm (in.)	Symbol	mm (in.)
B1	125.4 (4.9)	B8	—	C1	—	AN1	13.5 (0.5)
B2	254 (10.0)	B9	18.5 (0.7)	C2	—	AN2	—
B3	163.5 (6.4)	B10	—	C3	82 (3.2)		
B4	50.8 (2.0)	B11	—	D1	13 (0.5)		
B5	180 (7.1)	B12	—	D2	55.5 (2.2)		
B6	368 (14.5)	B13	20 (0.79)	D3	—		
B7	—			D4	—		

OUTBOARD MOTOR DIMENSIONS

CLAMP BRACKET DIMENSIONS

Global model	F/FL200B	F/FL200C	F/FL225B	F/FL250A	F/FL250G	F/FL225F	F/FL250D	F/FL300B
NOA/ANZ model		F/LF200A	F/LF225A	F/LF250A		F/LF225CA	F/LF250CA	F/LF300CA
PTT								

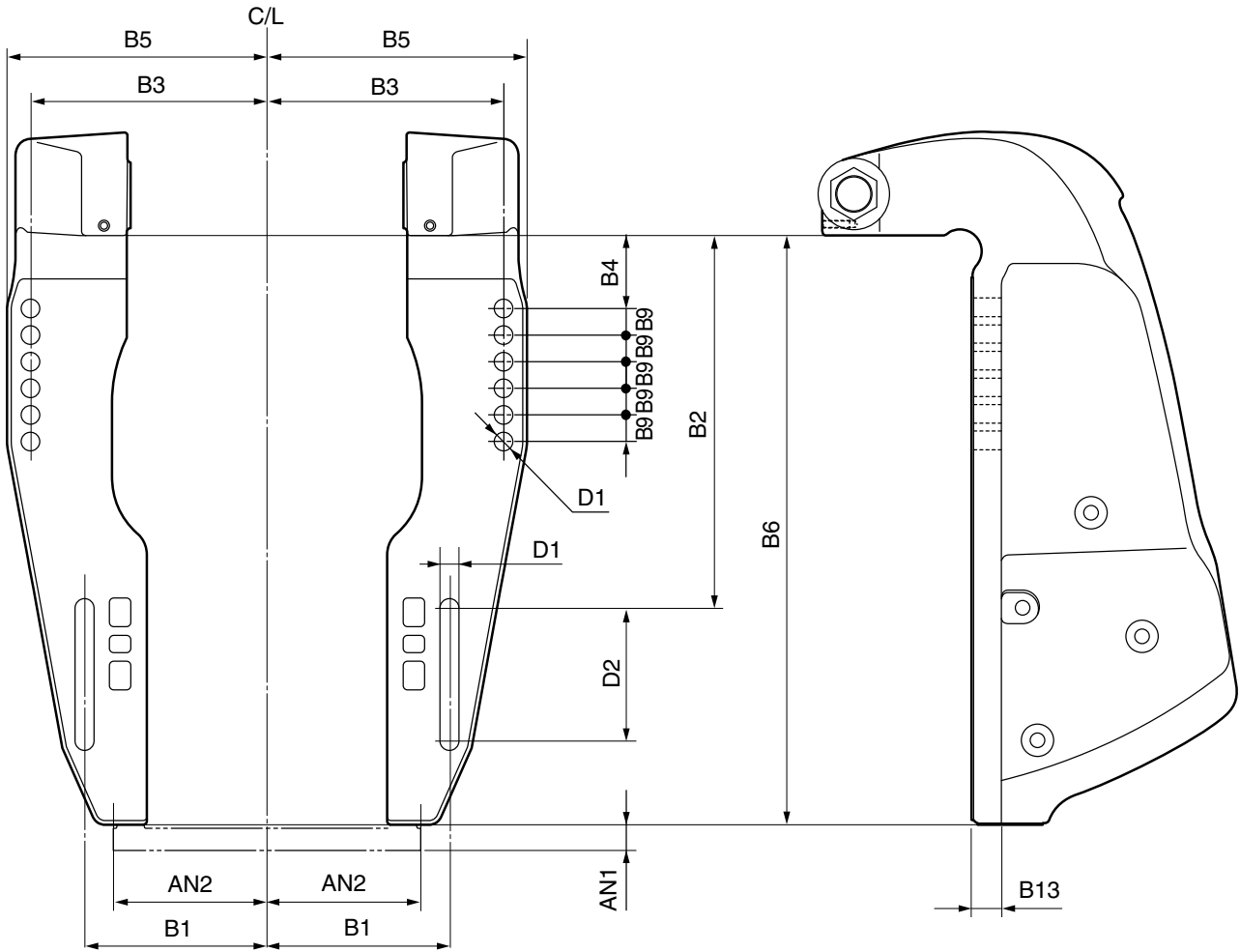


Symbol	mm (in.)	Symbol	mm (in.)	Symbol	mm (in.)	Symbol	mm (in.)
B1	125.4 (4.9)	B8	—	C1	—	AN1	52 (2.0)
B2	254 (10.0)	B9	18.5 (0.7)	C2	—	AN2	102 (4.0)
B3	163.5 (6.4)	B10	—	C3	79 (3.1)		
B4	50.8 (2.0)	B11	—	D1	13 (0.5)		
B5	180 (7.1)	B12	—	D2	55.5 (2.2)		
B6	411 (16.2)	B13	20 (0.79)	D3	—		
B7	—			D4	—		

OUTBOARD MOTOR DIMENSIONS

CLAMP BRACKET DIMENSIONS

Global model	F/FL350A							
NOA/ANZ model	F/LF350CB							
PTT								



Symbol	mm (in.)	Symbol	mm (in.)	Symbol	mm (in.)	Symbol	mm (in.)
B1	125.4 (4.9)	B8	—	C1	—	AN1	17.5 (0.69)
B2	254 (10.0)	B9	18.5 (0.73)	C2	—	AN2	102 (4.0)
B3	163.5 (6.4)	B10	—	C3	—		
B4	50.8 (2.0)	B11	—	D1	13 (0.51)		
B5	180 (7.1)	B12	—	D2	92.6 (3.6)		
B6	406 (16.0)	B13	21 (0.83)	D3	—		
B7	—			D4	—		